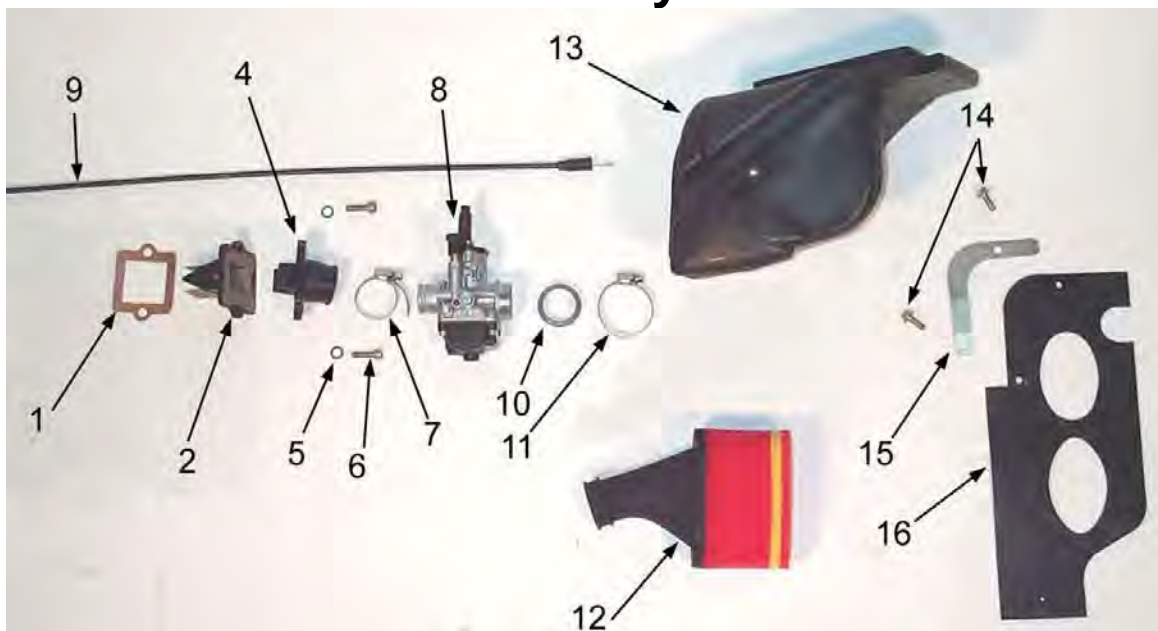


CX50JR - 2008

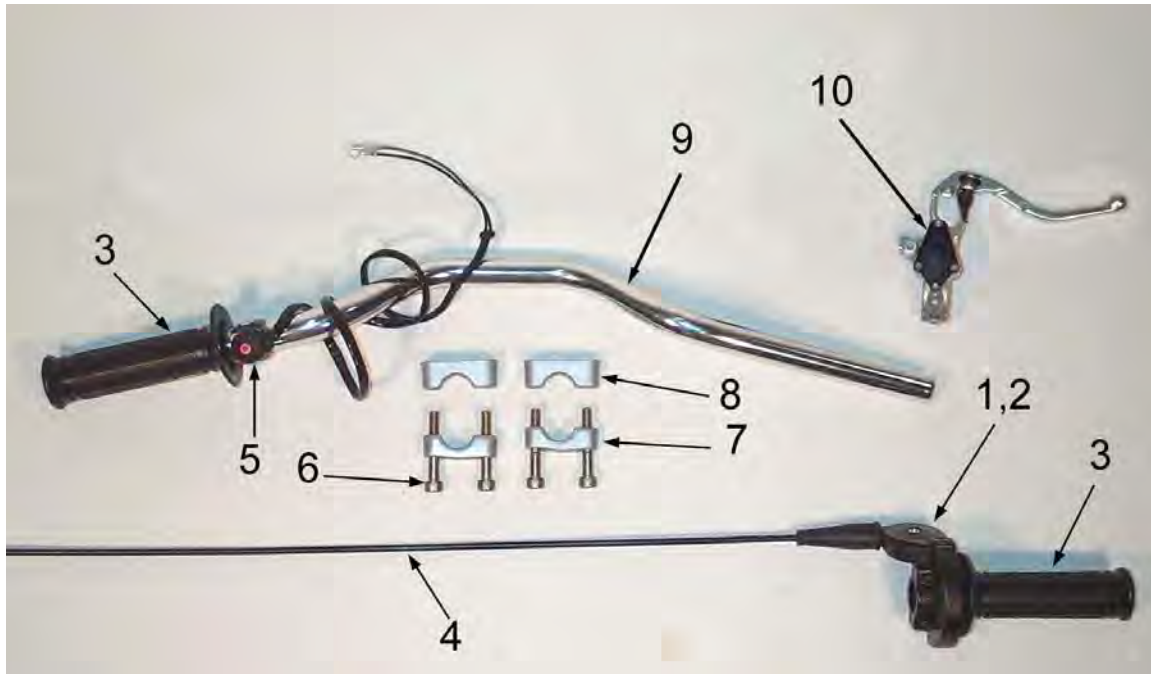
Parts – Airbox and Inlet System



Airbox and Inlet System		
REF #	PART #	DESCRIPTION
1	ZCMU0132	GASKET – REED TO CYLINDER
2	ECKG0202	REED BLOCK ASSEMBLY
Not Shown	ECKG0205	REEDS REPLACEMENT
4	ECKG0203	INLET MANIFOLD
5	HCWF0601	6MM FLAT WASHER
6	HCBC0625	M6X25 SOCKET HEAD CAP SCREW
7	MCKGHO04	HOSE CLAMP – CARBURETOR TO MANIFOLD
8	RACM0002	CARBURETOR 14MM
Not Shown	FCMU0026	FUEL LINE 5"
Not Shown	MCMUCL04	HOSE CLAMPS – FUEL LINE
Not Shown	RCMU0022	VENT HOSE
9	FCMU0067	THROTTLE CABLE
10	RCCM1301	VELOCITY STACK
11	MCKGHO01	HOSE CLAMP – AIR BOOT TO CARBURETOR
12	RCMU0403	AIR FILTER WITH BOOT
13	RCMU0405	AIR BOX – CM
14	HCBB0612	M6X12 BUTTON HEAD BOLT (2 REQ'D)
15	RCMU1407	BRACKET – MUD FLAP
16	RCMU0406	MUD FLAP – CM

CX50JR - 2008

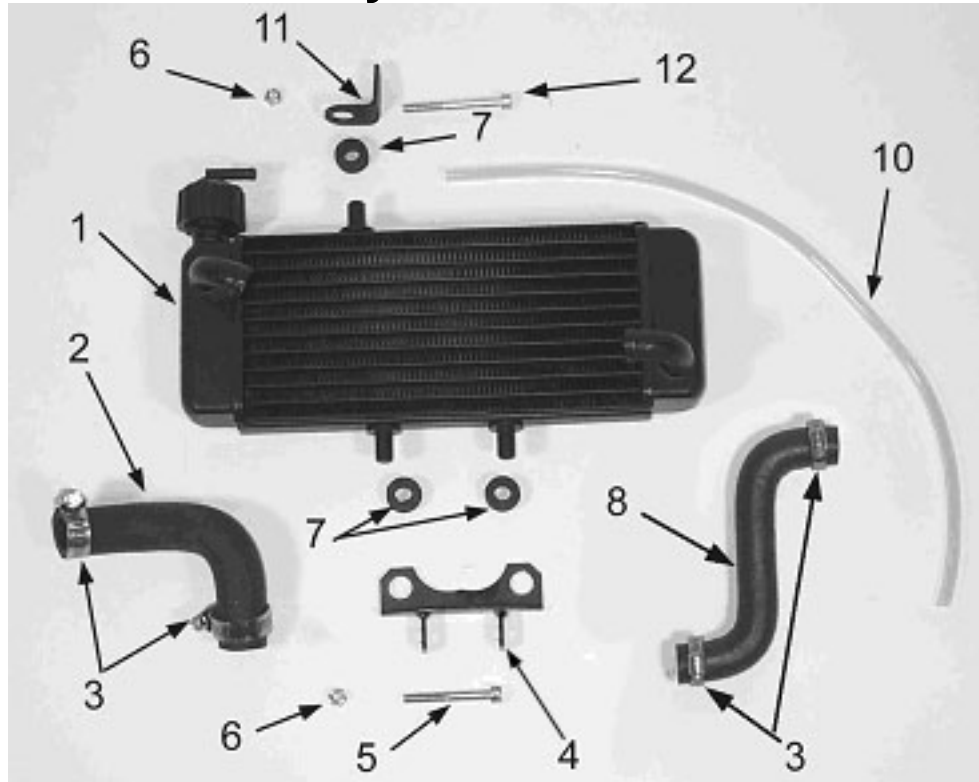
Parts – Bars and Controls



Bars and Controls		
REF #	PART #	DESCRIPTION
1	FCMU0066	THROTTLE ASSEMBLY
2	FCMU0068	THROTTLE COVER
3	TCMU0008	GRIPS (SET OF TWO)
4	FCMU0019	THROTTLE CABLE
5	FCMU0033	KILL SWITCH ASSEMBLY
6	KCMZ0001	M8X50 SOCKET HEAD CAP SCREW (4 REQ'D)
7	KCMZ0003	LOWER HANDLE BAR CLAMP (2 REQ'D)
8	KCMZ0002	TOP HANDLE BAR CLAMP (2 REQ'D)
9	TCMU0019	HANDLEBAR - ALUMINUM
10	BCKG0024	BRAKE PERCH ASSY W/LEVER & BALL
		FOR FRONT BRAKE ACCESSORIES SEE "FRONT BRAKE" SECTION

CX50JR - 2008

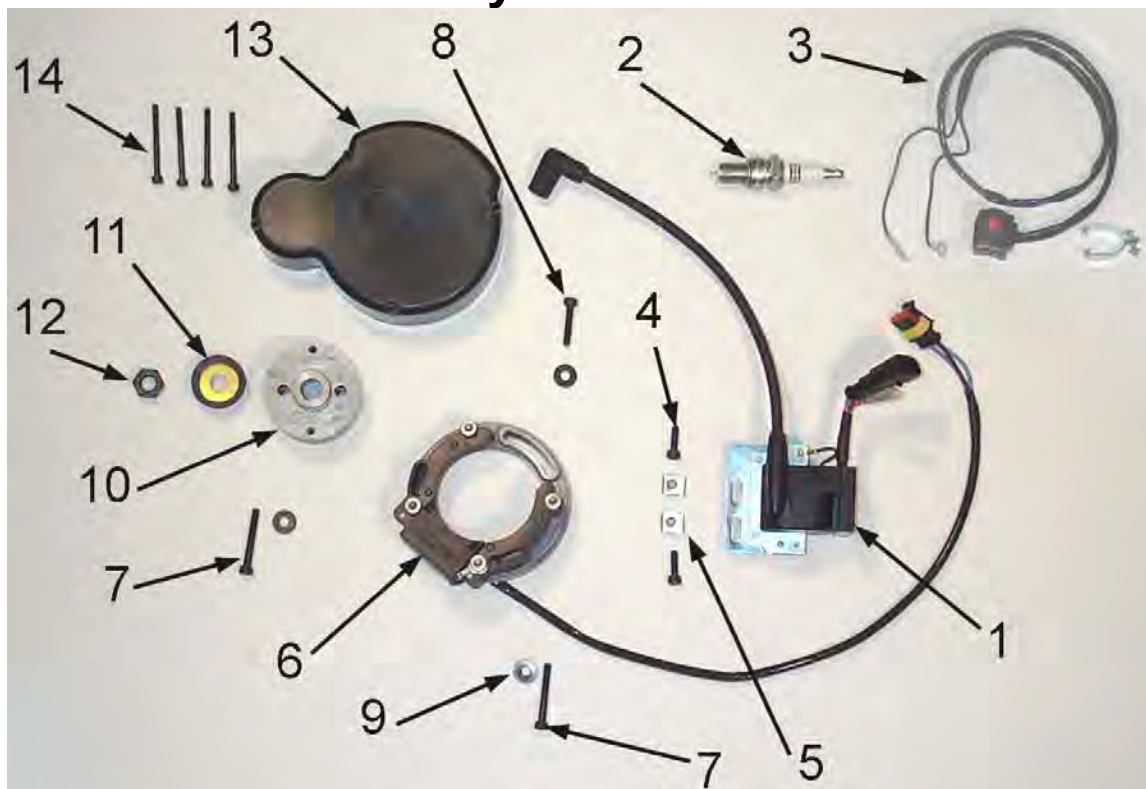
Parts – Coolant System



Coolant System		
REF #	PART #	DESCRIPTION
1	ECMU0061	RADIATOR WITH CAP
2	MCMUHO02	RADIATOR HOSE LEFT
3	MCMUCL07	HOSE CLAMP
4	ECHA0003	MOUNTING BRACKET – RADIATOR BOTTOM
5	HCBC0607	M6X50 SOCKET HEAD CAP SCREW
6	HCNL0601	6MM LOCK NUT
7	MCKGGR00	GROMMET – RADIATOR MOUNTING
8	MCCMHO01	RADIATOR HOSE RIGHT
10	FCMU0049	OVERFLOW HOSE – 20"
Not Shown	MCMUCL05	HOSE CLAMP, OVERFLOW HOSE
11	ECHA0109	MOUNTING BRACKET – RADIATOR TOP
12	HCBC0660	M6X60 SOCKET HEAD CAP SCREW

CX50JR - 2008

Parts – Electrical System



Electrical System		
REF #	PART #	DESCRIPTION
1	IAMU0005	COIL W/SPARK PLUG CAP
2	ECMU0065	SPARK PLUG, CHAMPION (8339-1)
2H	ECMU0067	OPTIONAL HOTTER PLUG (8332-1)
2C	ECMU0066	OPTIONAL COLDER PLUG (8904-1)
3	FCMU0033	KILL SWITCH ASSEMBLY
4	HCBC0516	SCREW, M5 X 16 (2 PER)
5	HCCN0000	5MM CLIP NUT (2 PER)
6	ICMU0018	STATOR WITH GROMMET
7	HCBC0535	5mm x 35 SOCKET HEAD CAP SCREW (2 REQ'D)
8	HCBC0525	5mm x 25 SOCKET HEAD CAP SCREW
9	HCWF0504	WASHER FOR STATOR (3 PER)
10	ICMU0006	ROTOR
NOT SHOWN	ICMU0012	WOODRUFF KEY
11	ECKG0042	PULLEY, WATERPUMP CRANK
12	HCNS1001	NUT 10MM
13	ECKG0001	IGNITION COVER
14	HCBC0445	M4 X 45 SOCKET HEAD CAP SCREW (4 REQ'D)
NOT SHOWN	ZCKG0101	GASKET – IGNITION COVER

CX50JR - 2008

Parts – Engine – Bottom End and Transmission

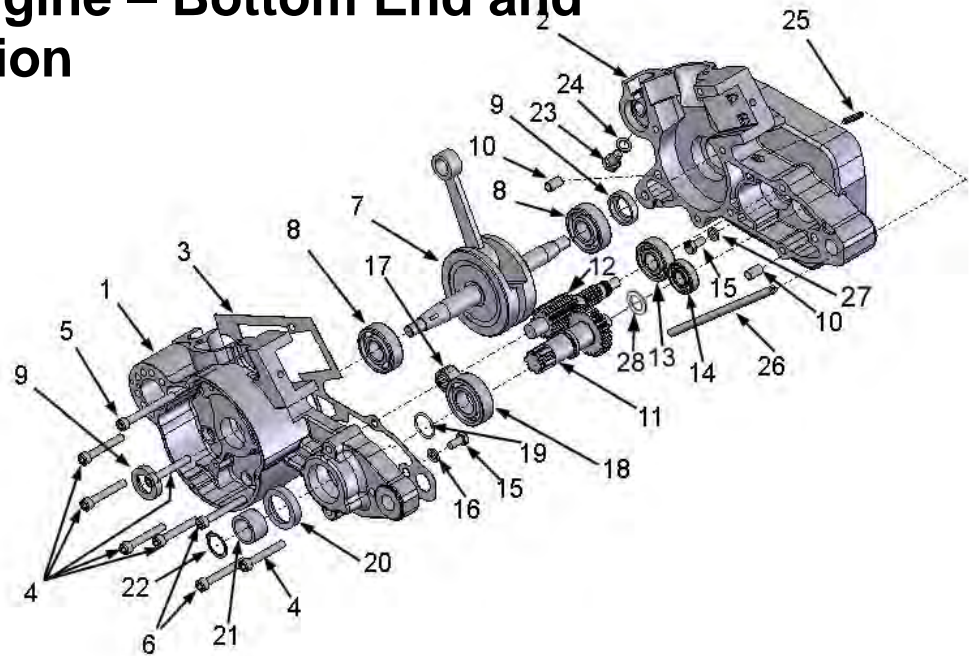


Figure 7A

Engine Bottom End and Transmission		
REF #	PART #	DESCRIPTION
1	EKMU0023	ENGINE CASE SET W/B&S 50 07
2	EKMU0023	ENGINE CASE SET W/B&S 50 07
3	ZCMU0601	GASKET, CRANKCASE CENTER
4	HCBC0605	6X40MM SOCKET HEAD CAP SCREW (6 REQ'D)
5	HCBC0608	6X55MM SOCKET HEAD CAP SCREW (1 REQ'D)
6	HCBC0606	6X45MM SOCKET HEAD CAP SCREW (2 REQ'D)
7	ECMU0038	CRANKSHAFT
8	ECMU0016	BEARING, CRANKSHAFT
9	ECMU0118	SEAL, CRANKSHAFT
10	ECDC0031	DOWEL, ENGINE CASE ALIGNEMENT (2 REQ'D)
11	ECMU0099	OUTPUT SHAFT, TRANSMISSION WITH GEAR
12	ECMU0100	SECONDARY SHAFT, TRANSMISSION WITH GEAR
13	ECMU0001	BEARING, TRANSMISSION SECONDARY SHAFT
14	ECKG0031	BEARING OUTPUT SHAFT, RIGHT SIDE
15	HCBH0612	M6X12 HEX HEAD SCREW - BEARING RETAINER (2 PLACES)
16	HCWL0601	6MM LOCK WASHER
17	ECMU0020L	BEARING, TRANSMISSION PRECISION
18	ECKGBR01	BEARING, TRANSMISSION OUTPUT SHAFT
19	ZCDCOR01	O-RING, SPROCKET SPACER
20	ECMU0072	SEAL, OUTPUT SHAFT
21	ECMU0073	SPACER, SPROCKET
22	ECKGSR03	SNAP RING, SPROCKET
NOT SHOWN	PCKG0014	SPROCKET, 14 T
23	HCBH0805	M8X12 SCREW – COOLANT DRAIN
24	HCWC0000	COPPER GASKET
25	ECMU0533	FITTING, CRANKCASE VENT
26	ECMU0534	VENT HOSE, CRANKCASE, 9"
27	HCWF0316	WASHER – FLAT
28	ECMU0156	SHIM – OUTPUT SHAFT 50'S

CX50JR - 2008

Parts – Engine Clutch and Kicker

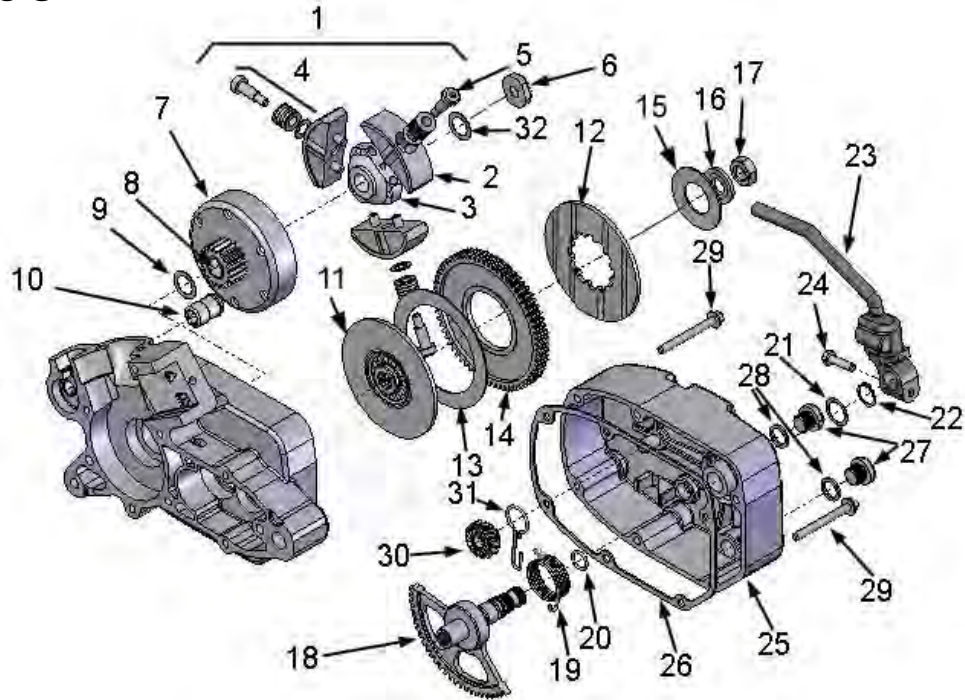


Figure 7B

Engine – Clutch and Kick Starter		
REF #	PART #	DESCRIPTION
1	CAMU0005	CLUTCH COMPLETE
2	CAMU0013	CLUTCH SHOES (SET OF 3) WITH BOLT & WASHERS
3	CCMU0029	CLUTCH ARBOR
4	CAMU0010	SPRINGS, WASHER & BOLT (SET OF 3)
5	HCBS0004	CLUTCH BOLT (3 REQ'D)
6	ECMU0018	CLUTCH NUT, SPECIAL
7	ECMU00120	CLUTCH BASKET WITH NEEDLE BEARING
8	ECMU0119	CLUTCH BEARING
9	ECMU0040	CLUTCH TO HUB SPACER (0.030", 0.76MM)
	ECMU0040T	CLUTCH TO HUB SPACER (THIN – 0.015", 0.38MM)
10	ECMU0132	COOLANT FITTING
11	EAMU0008	CFD HUB / PRESSURE PLATE
12	ECMU0162	PRESSURE PLATE WITH FRICTION MATL, '08 STYLE
13	ECMU0143	FRICTION PAPER, CFD
14	ECMU0161	GEAR, CFD '08 STYLE
15	ECMU0159	SPRING WASHER, CFD, 60MM OD
16	ECMU0160	CENTERING WASHER, CFD
17	HCNS1202	NUT, CFD (½-20 LEFT HAND THREAD – BLUE)
18	EAMU0001	KICKSTART GEAR & SHAFT
19	ECMU0116	SPRING, KICKSTART
20	ZCMUB014	O-RING KICK SHAFT
21	HCWS1622	SHIM, KICK SHAFT
22	ECDC0036	SNAP RING, KICK SHAFT
23	ECMU0202	KICK LEVER W/BOLT & RUBBER
24	HCBF0620	6MM X 20 FLANGE HEAD BOLT
25	ECMU0115	CLUTCH COVER
26	ZCMU0030	CLUTCH COVER GASKET
27	ECMU0037	OIL FILL PLUG
28	ZCMU0005	GASKET, OIL FILL / DRAIN PLUG
29	HCBF0655	6MM X 55 FLANGE HEAD (6 REQ'D)
30	ECMU0207	KICKSTART GEAR SMALL
31	ECMUSP01	KICK START DOG SPRING (PAPER CLIP)
32	HCWS1016	WASHER – KICK GEAR SPACING

CX50JR - 2008

Parts – Engine – Water Pump

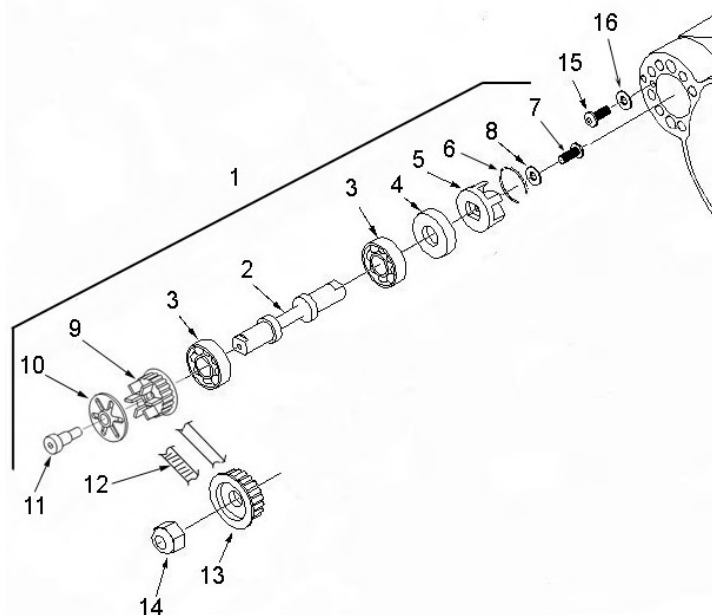


Figure 7C

Engine – Ignition and Water Pump		
REF #	PART #	DESCRIPTION
1	EKMU0001	WATER PUMP KIT
2	ECKG0142	SHAFT, WATER PUMP
3	ECKG0072	BEARING, WATER PUMP
4	ECKG0074	SEAL, WATER PUMP SHAFT
5	ECKG0073	IMPELLER, WATER PUMP
6	ECKG0004	RETAINER, WATER PUMP ASSEMBLY
7	HCBC1512	5X12MM SHCS STAINLESS
8	HCWF0501	FLAT WASHER
9	ECKG0175	WATER PUMP PULLEY, FAN TYPE - DRIVEN
10	ECMU0180	BELT RETAINER
11	HCBS0003	SHOULDER BOLT 6MM
12	ECKG0170	WATER PUMP BELT
13	ECKG0042	WATER PUMP PULLEY, CRANK
14	HCNS1001	NUT 10MM
15	HCBC0408	M4mm x 8 SOCKET HEAD black oxide
16	HCWF0401	4MM WASHER

CX50JR - 2008

Parts – Engine – Top End

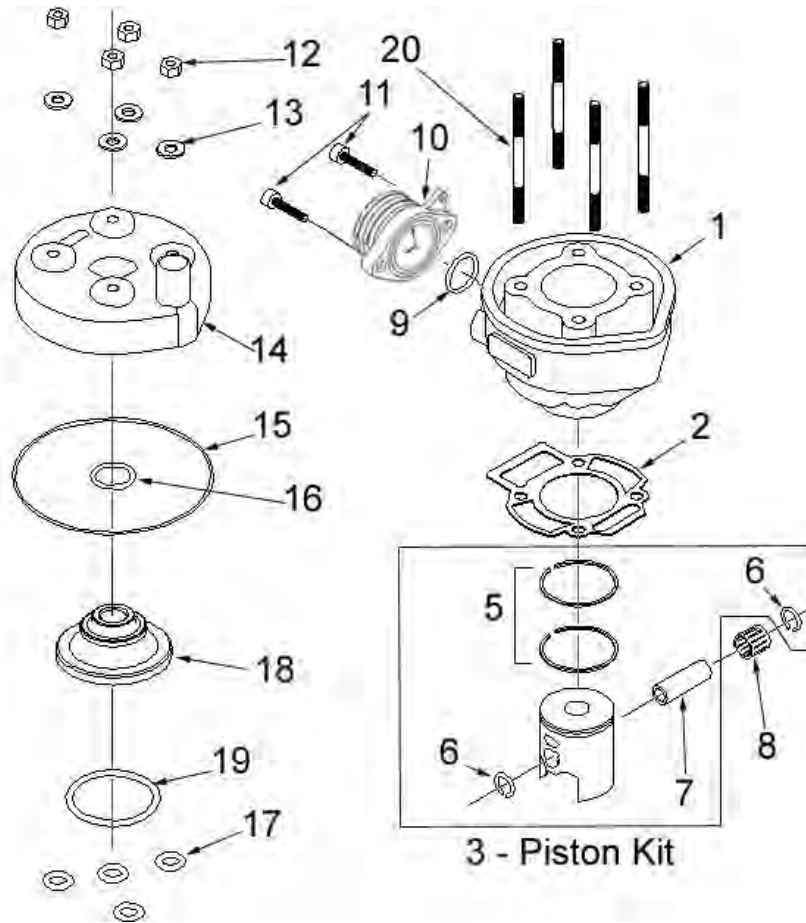
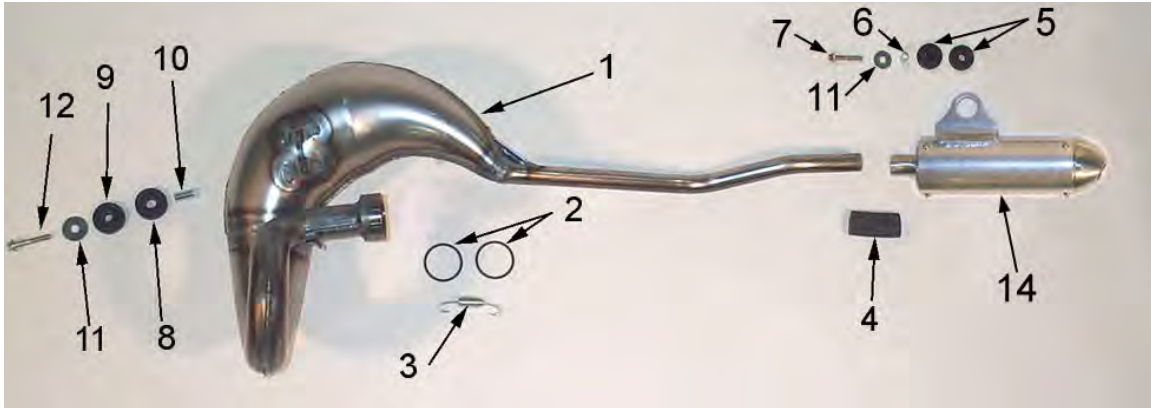


Figure 7D

Engine – Top End		
REF #	PART #	DESCRIPTION
1	ECMU0129	CYLINDER (INCLUDES PISTON, RINGS, PIN & CLIPS)
2	ZCKG0501	BASE GASKET 0.015" (0.4mm thick) For other Base Gaskets refer to Base Gasket Selection section of this manual
3	ECMU0060x	PISTON KIT ("x" denotes size, AB, A, C, etc.....)
5	ECMU0155	PISTON RINGS (2 PER SET)
6	ECMUSR00	SNAP RING FOR PISTON (2 REQ'D)
7	ECKG0012	WRIST PIN
8	ECMU0077	BEARING, WRIST PIN
9	ZCMUOR07	O-RING, EXHAUST FLANGE
10	ECMU0086	EXHAUST FLANGE
NOT SHOWN	ZCMOTE11	O-RINGS – PIPE TO FLANGE (2 REQ'D)
11	HCBC0612	M6X12, EXHAUST FLANGE SCREW (2 REQ'D)
12	HCNS0601	6mm Nut
13	HCWS1401	HARDENED WASHER
14	ECMU0530	CYLINDER HEAD OUTER
15	ZCMUOR02	O-RING, CYLINDER HEAD LARGE
16	ZCMUV024	O-RING CYLINDER HEAD SMALL
17	ZCMUOR10	O-RING CYLINDER STUD (4 REQ'D)
18	ECMU0532	CYLINDER HEAD, INSERT
19	ZCMUV032	O-RING CYLINDER HEAD MEDIUM
20	ECMU0075	STUD, CYLINDER 6mm

CX50JR - 2008

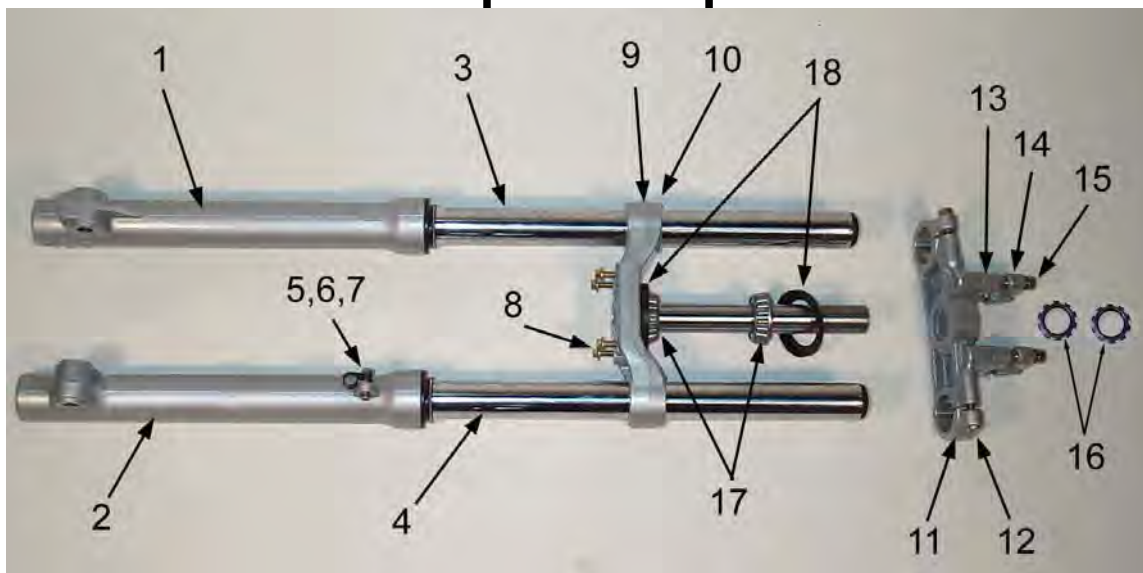
Parts – Exhaust System



Exhaust System		
REF #	PART #	DESCRIPTION
1	XCCM2004	CX50 OI EXHAUST PIPE
2	ZCMOTE11	O-RING – EXHAUST (2 REQ'D)
3	XCMU0005	SPRING – EXHAUST SHORT
4	XCMU0028	PIPE / SILENCER SEAL
5	MCMUGR03	MOUNTING GROMMET (2 REQ'D)
6	TCKG0001	SPACER
7	HCBF0625	M6X25 FLANGE HEAD BOLT
8	MCMUGR06	PIPE GROMMET MALE
9	MCMUGR07	PIPE GROMMET FEMALE
10	MCMUSP02	PIPE GROMMET SPACER
NOT SHOWN	MCMUGR02	GROMMET KIT
11	HCWF1478	PIPE GROMMET WASHER
12	HCBF0635	M6X35 FLANGE HEAD BOLT
13	ECPW0001	Exhaust Power Regulator
14	XCMU0031	SILENCER
NOT SHOWN	XCMU0027	SILENCER PACKING KIT
NOT SHOWN	HCBB0408	M4 X 8 SILENCER SCREW

CX50JR - 2008

Parts – Forks & Triple Clamps



Front Forks and Triple Clamp		
REF #	PART #	DESCRIPTION
1	KCMZ0029	OUTER FORK LEG – RIGHT (NON BRAKE) SIDE
NOT SHOWN	KCMZ0131	OUTER FORK LEG ASSY – RIGHT WITH SEAL & SWIPER
NOT SHOWN	KACM005R	FORK LEG COMPLETE – RIGHT SIDE
2	KCMZ0006	OUTER FORK LEG – LEFT (BRAKE) SIDE for Disc
NOT SHOWN	KCMZ0010	OUTER FORK LEG ASSY – LEFT WITH SEAL & SWIPER for Disc
NOT SHOWN	KACM0007L	FORK LEG COMPLETE – LEFT SIDE for Disc
3	KCMZ0026	INNER FORK LEG – RIGHT (COMPRESSION) SIDE
4	KCMZ0027	INNER FORK LEG – LEFT (REBOUND) SIDE
5	HCCC0001	CLAMP – BRAKE CABLE
6	HCBC0502	M5X20 SOCKET HEAD CAP SCREW
7	HCNL0501	5MM LOCK NUT
8	HCBF0616	FENDER BOLT, M6X16 FLANGE HEAD (4 REQ'D)
9	KCMZ0025	TRIPLE CLAMP – LOWER WITH STEM
10	HCBC0625	M6X25 SOCKET HEAD CAP SCREW (4 REQ'D)
11	KCMZ0005	TRIPLE CLAMP – UPPER (NO BAR MOUNTS)
12	HCBC0806	M8X30 SOCKET HEAD CAP SCREW (2 REQ'D)
13	KCMZ0003	BAR MOUNT – LOWER (2 REQ'D)
14	KCMZ0002	BAR MOUNT – UPPER (2 REQ'D)
15	KCMZ0001	M8X50 SOCKET HEAD CAP SCREW
16	HCNJ0102	STEERING HEAD JAM NUT (2 REQ'D)
17	FCMU0004	STEERING HEAD BEARING (2 REQ'D)
18	FCMU1103	DUST COVER (2 REQ'D)

CX50JR - 2008

Parts –
Forks –
Leg
Assembly

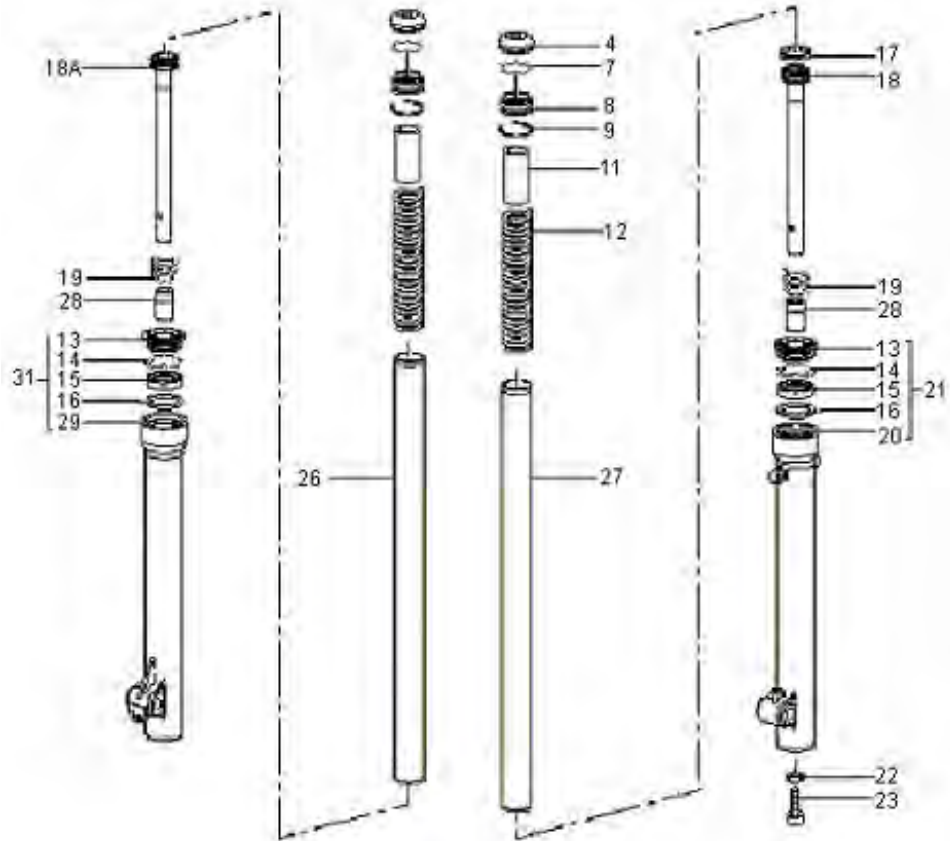
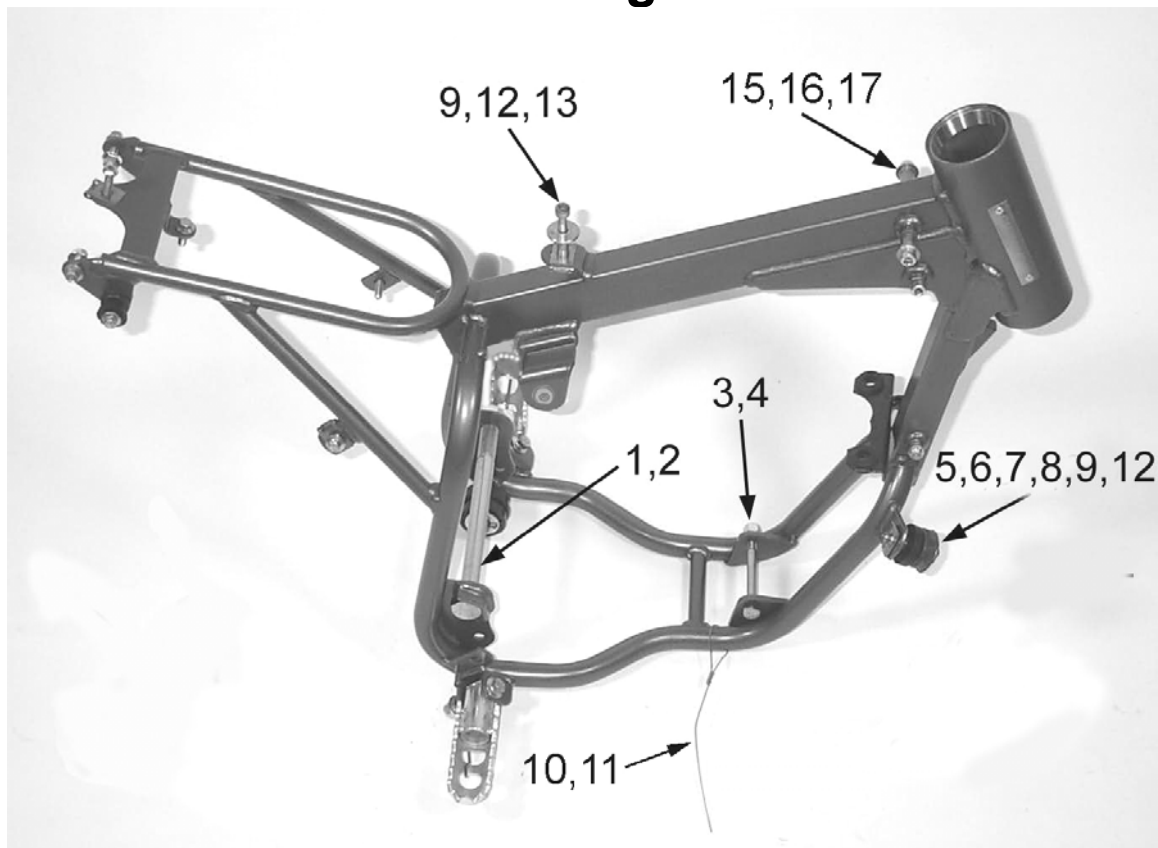


Figure 10

REF #	PART #	DESCRIPTION
4	KCMZ0004	FORK PLUG – BLACK
7	KCMZ0007	SNAP RING FOR FORK CAP
8	KCMZ0008	INNER FORK CAP - WHITE
9	KCMZ0009	O-RING UNDER FORK CAP
11	KCMZ0111	PRELOAD SLEEVE
12	KCMZ0012	FORK SPRING
13	KCMZ0013	SWIPER
14	KCMZ0014	SNAP RING
15	KCMZ0015	FORK SEAL
16	KCMZ0016	WASHER
17	KCMZ0017	SEALING RING FOR REBOUND PISTON
18	KCMZ0118	PISTON ROD - REBOUND
18A	KCMZ0118A	PISTON ROD - COMPRESSION
19	KCMZ0019	REBOUND SPRING
20	KCMZ0006	FORK LEG OUTER LEFT
21	KCMZ0010	FORK LEG – 5 PIECE UNIT – LEFT
22	HCWC0000	WASHER
23	HCBC0806	8 X 30 CS
26	KCMZ0026	FORK TUBE – INNER RIGHT
27	KCMZ0027	FORK TUBE – INNER LEFT
28	KCMZ0028	TOP OUT BUMPER
29	KCMZ0029	FORK LEG – OUTER RIGHT
31		FORK LEG – 5 PIECE UNIT – RIGHT
32	HCBC0609	6 X 20 CS

CX50JR - 2008

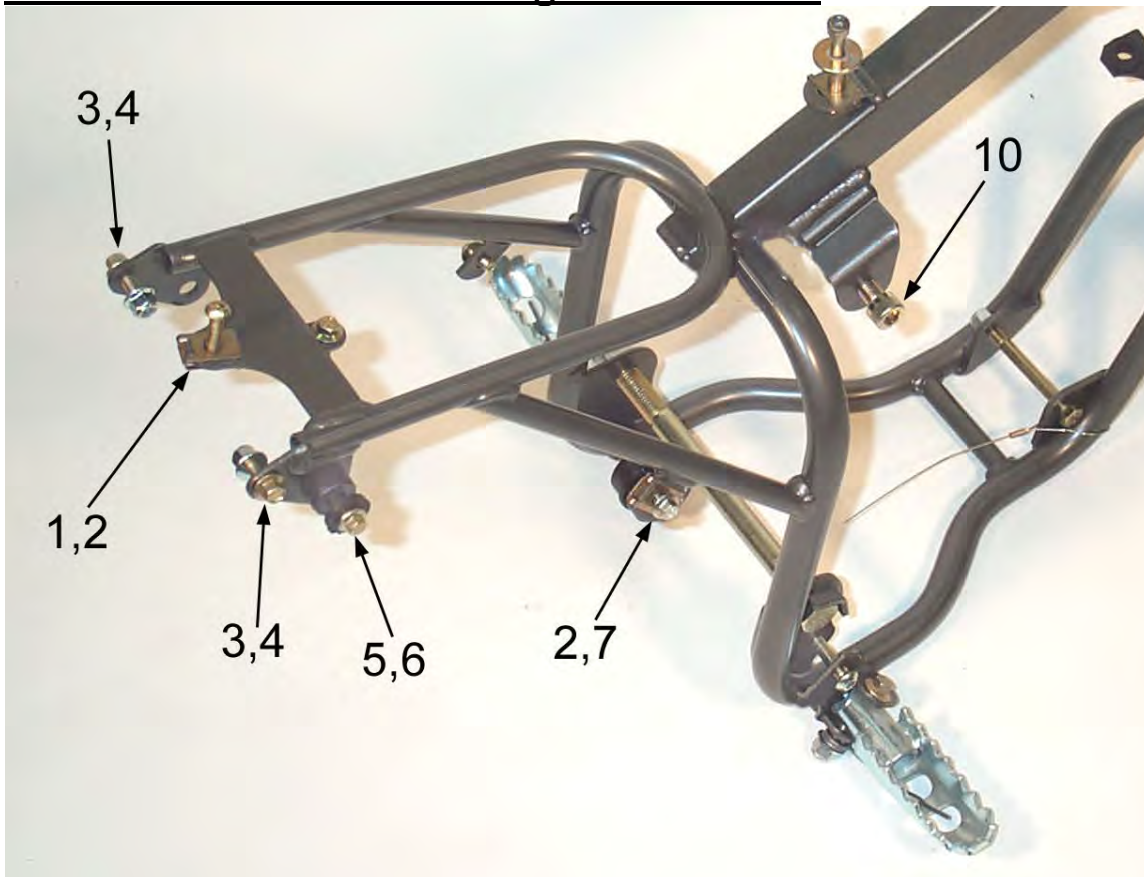
Parts – Frame – Mounting Hardware I



Frame – Engine, Tank, and Pipe Mounts, Brake Snake		
REF #	PART #	DESCRIPTION
	FAMU0004	FRAME 2007 CX50 JR
1	HCBH1403	SWINGARM BOLT
2	HCNL1402	SWINGARM LOCK NUT (M14X1)
3	HCBH0880	M8X80 SOCKET HEAD CAP SCREW
4	HCNL0801	8MM LOCKNUT
5	MCMUGR06	PIPE GROMMET MALE
6	MCMUGR07	PIPE GROMMET FEMALE
7	MCMUSP02	PIPE GROMMET SPACER
8	HCWF1478	PIPE GROMMET WASHER
9	HCHA0003	6MM CLIPNUT
10	BCMU0008	CABLE – BRAKE SNAKE
11	BCMU0009	CRIMP – BRAKE SNAKE
12	HCBF0635	M6X35 FLANGE HEAD BOLT
13	TCHA0004	BUSHING – REAR TANK MOUNTING
15	HCNL0601	6MM LOCKNUT
16	TCHA0006	BUSHING – FRONT TANK MOUNT (2 REQ'D)
17	HCBF0685	M6X85 SHCS

CX50JR - 2008

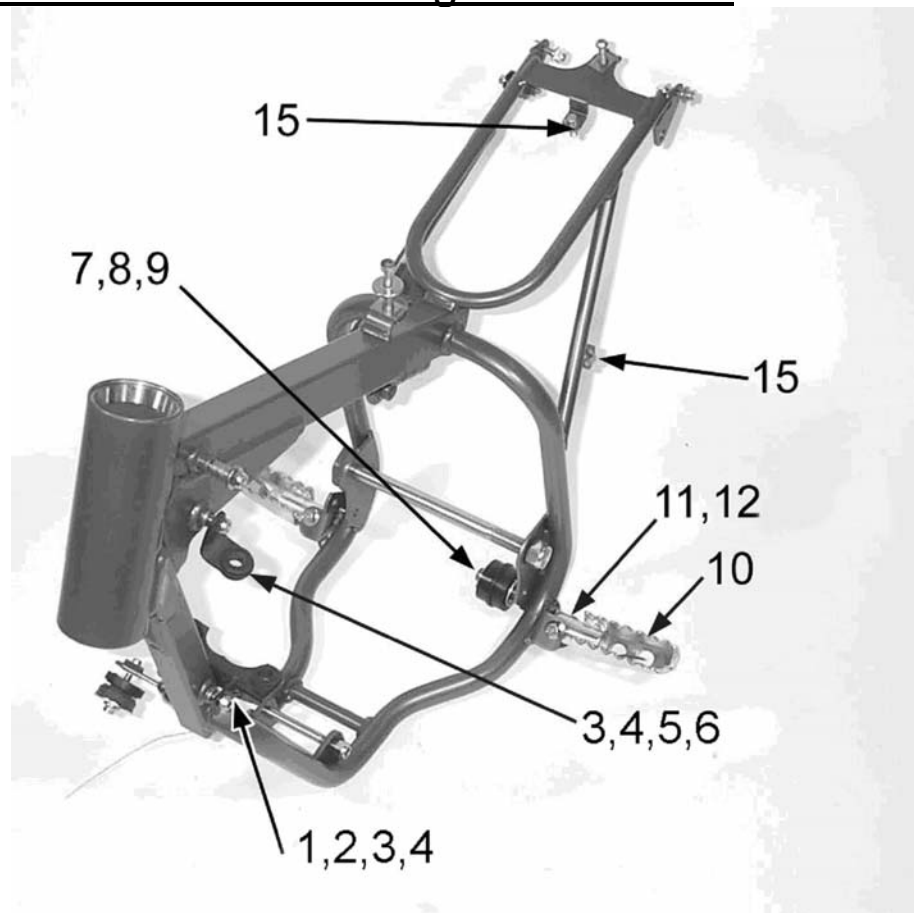
Parts – Frame – Mounting Hardware II



Frame – Seat, Fender, Right Side Panel, Brake Pedal, Silencer & Shock Mounts		
REF #	PART #	DESCRIPTION
	FAMU0004	FRAME 2007CX50 JR
1	HCBB0635	M6X35 BUTTON HEAD CAP SCREW
2	HCHA0003	6MM CLIPNUT
3	HCBF0620	M6X20 FLANGE HEAD BOLT
4	HCNF0602	6MM NYLOC FLANGE NUT
5	HCBF0625	M6X25 FLANGE HEAD BOLT
6	MCMUGR03	GROMMET – SILENCER (2 REQ'D)
NOT SHOWN	TCKG0001	SPACER FOR EXHAUST GROMMETS
NOT SHOWN	HCWF1478	WASHER – EXHAUST GROMMET
7	HCBF0616	M6X16 FLANGE HEAD BOLT
10	HCBF1040	M10X40 FLANGE HEAD BOLT

CX50JR - 2008

Parts - Frame – Mounting Hardware III



Frame – Radiator, Footpeg, Chain Roller, and Airbox Mounts		
REF #	PART #	DESCRIPTION
	FAMU0004	FRAME 2007 CX50 JR
1	ECHA0003	MOUNTING BRACKET – RADIATOR BOTTOM
2	HCBC0607	M6X50 SOCKET HEAD CAP SCREW
3	HCNL0601	6MM LOCK NUT
4	MCKGGR00	GROMMET – RADIATOR MOUNT (2 REQ'D ON BOTTOM, 1 ON TOP BRACKET)
5	ECHA0109	MOUNTING BRACKET – RADIATOR TOP
6	HCBC0660	M6X60 SOCKET HEAD CAP SCREW
7	FCMU0057	CHAIN ROLLER
8	HCWF1201	WASHER FLAT, CHAIN ROLLER (2 REQ'D)
9	HCCP0002	COTTERPIN 3/32 X 1 (2 REQ'D)
10	TCMU0010	WIDE FOOTPEGS (PAIR) KING STYLE
11	TCMU0106	FOOTPEG SPRING (SINGLE PIECE)
12	HCBH0840	M8 X 40MM FOOTPEG BOLT
12	HCNL0802	8MM LOCKNUT
15	HCBF0616	M6X16 FLANGE HEAD BOLT

CX50JR - 2008

Parts – Front Brakes

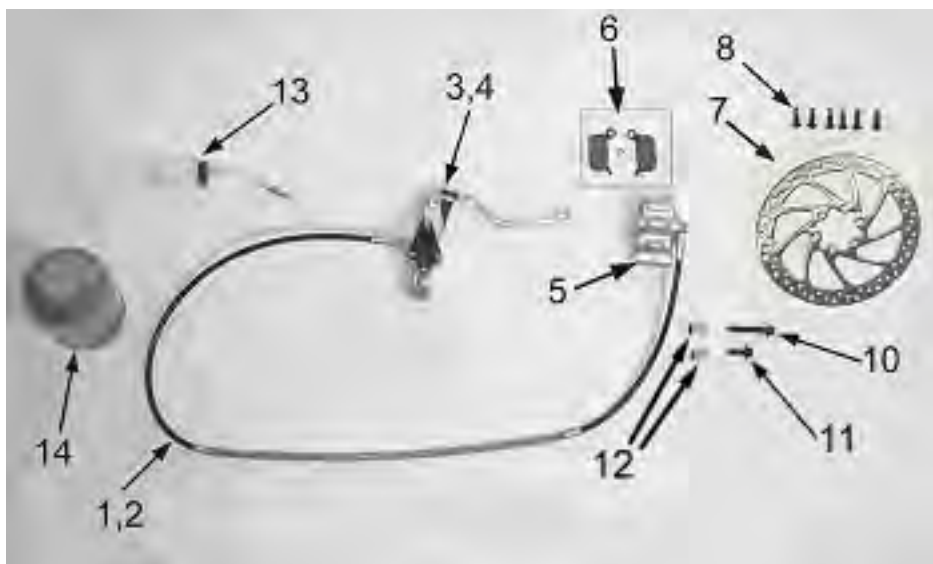
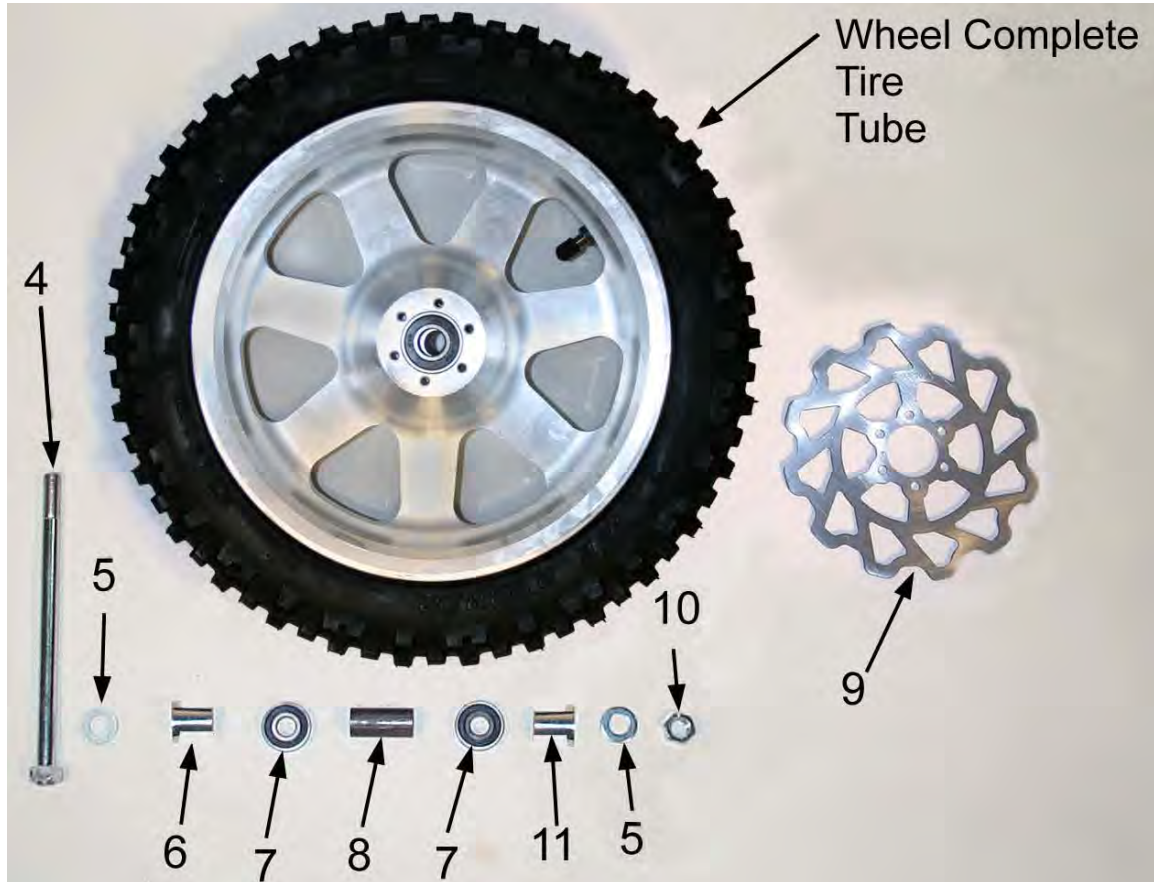


Figure 14

Front Brakes		
REF #	PART #	DESCRIPTION
1	BAKG0003	FRONT BRAKE ASSEMBLY
2	BCKG0030	HOSE – BRAKE FRONT
3	BCKG0023	ALLOY BRAKE LEVER
4	BCKG0024	BRAKE PERCH & MASTER CYLINDER ASSY W/ LEVER
5	BCKG0029	CALIPER – FRONT
6	BKKG0001	BRAKE PADS, WITH “E” CLIP
	BCKG0009	BRAKE PADS ONLY
7	BCMU0503	BRAKE ROTOR
8	HCBC2512	M5X12 SOCKET HEAD CAP SCREW WITH THREAD LOC
9	FCKG0213	GUIDE – FRONT BRAKE LINE
10	HCBF0650	M6 X 50 SOCKET HEAD CAP SCREW
11	HCBF0630	M6 X 30 SOCKET HEAD CAP SCREW
12	BCCM0001	SPACER – CALIPER MOUNTING (2 REQ'D)
13	BCKG0031	BLEED KIT (MULTIPLE SYRINGES, FITTINGS & HOSE)
14		BRAKE FLUID
ACCESSORY	BCKG0028	LEVER ADJUSTMENT KIT
ACCESSORY	BCKG0027	RESERVOIR SEAL KIT
ACCESSORY	BCKG0025	REPLACEMENT BAR CLAMP AND SCREWS (FOR MASTER CYLINDER)
ACCESSORY	BCKG0026	PISTON & REBUILD KIT FOR MASTER CYLINDER
ACCESSORY	BCKG0017	CALIPER ORING & BOLTS (F&R)
ACCESSORY	BCKG0018	CALIPER PISTON KIT (F&R)
ACCESSORY	BCKG0019	RETURN SPRING (4 FINGER SPRING)

CX50JR - 2008

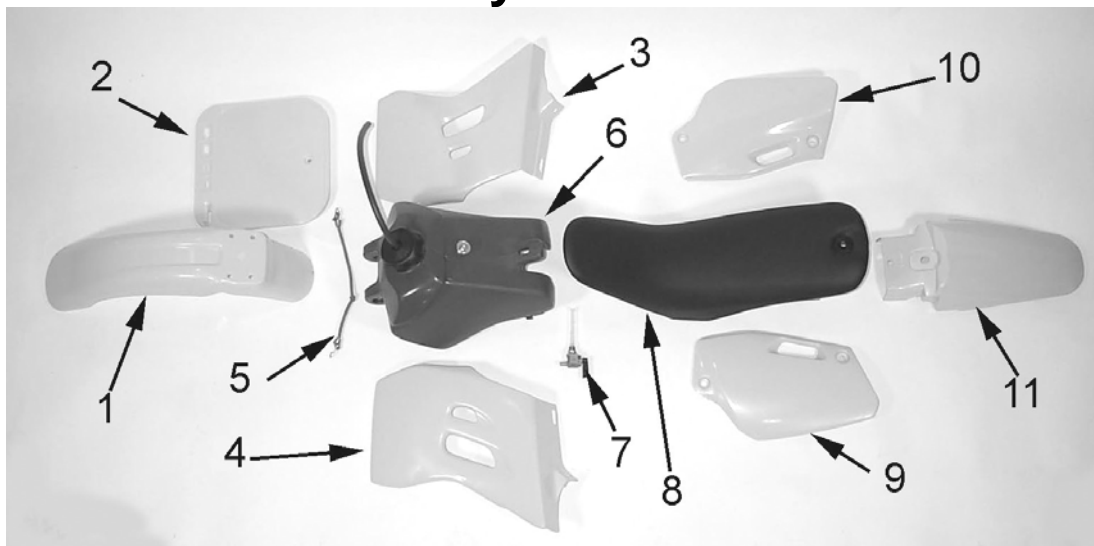
Parts – Front Wheel



Front Wheel		
REF #	PART #	DESCRIPTION
1	WACJ0001	WHEEL WITH BEARINGS (NO TIRE & TUBE) '08 SPOKE STYLE
2	WCMU0250	FRONT TIRE 10X2.50"
3	WCMUTU10	TUBE 10"
4	WCMU0014	FRONT AXLE
5	HCWF1202	WASHER - AXLE
6	WCCJ0002	WHEEL SPACER LEFT (SHORT)
7	WCMU0120	BEARING - WHEEL (2 REQ'D)
8	WCCJ0004	SPACER - WHEEL FRONT
9	BCMU0503	BRAKE ROTOR - FRONT
NOT SHOWN	HCBC2512	5X12MM SHCS WITH THREAD LOCK (6 REQ'D)
10	HCNL1201	LOCK NUT - AXLE
11	WCCJ0003	WHEEL SPACER RIGHT (LONG)

CX50JR - 2008

Parts – Plastic Bodywork & Seat



Plastic and Seat		
REF #	PART #	DESCRIPTION
NOT SHOWN	TCCJ2008	GRAPHIC KIT 2008 CM
1	TCHA0107	FRONT FENDER
NOT SHOWN	HCBF0616	FENDER BOLT, M6X16 FLANGE HEAD (4 REQ'D)
2	TCMU0005	NUMBER PLATE – FRONT
NOT SHOWN	HCBF0625	M6X25 FLANGE HEAD BOLT – FRONT NUMBER PLATE MOUNT
3	TCHA0008	RADIATOR SHROUD – RIGHT
Not shown	TCMU0032	RADIATOR PAD
4	TCHA0009	RADIATOR SHROUD – LEFT
5	MCMUBC01	BUNGEE CORD – SHROUD HOLDING
6	TCHA0001	FUEL TANK – NOT COMPLETE
NOT SHOWN	TCHA0002	CAP – FUEL TANK
NOT SHOWN	TCHA0003	HOSE – FUEL CAP
NOT SHOWN	HCFH0620	M6X20 PHILIPS HEAD SCREW – SEAT & SHROUD HOLD
NOT SHOWN	TCHA0005	SPACER – SEAT & SHROUD HOLD
NOT SHOWN	TCHA0006	SPACER – FRONT TANK MOUNT (2 REQ'D)
NOT SHOWN	HCBC0685	M6X85 SHCS – FRONT TANK MOUNT
NOT SHOWN	HCNL0601	6MM LOCK NUT – FRONT TANK MOUNT BOLT
NOT SHOWN	HCBC0645	M6X45 SOCKET HEAD CAP SCREW
NOT SHOWN	TCHA0004	BUSHING – REAR TANK MOUNTING
7	TCMU0000	FUEL PETCOCK '06 STYLE LEVER
Not Shown	FCMU0026	FUEL LINE, 5"
Not Shown	MCMUCL04	HOSE CLAMPS – FUEL LINE
8	TCHO0001	SEAT
NOT SHOWN	HCBB0635	M6X35 BUTTON HEAD CAP SCREW – SEAT HOLDING
9	TCHA0011	NUMBER PLATE – LEFT REAR
NOT SHOWN	HCBF0616	M6X16 FLANGE HEAD BOLT – FRONT SECURE
NOT SHOWN	HCBF0620	M6X20 FLANGE HEAD BOLT – FENDER & REAR SECURE
NOT SHOWN	HCFN0602	6MM NYLOC FLANGE NUT
10	TCHA0010	NUMBER PLATE – RIGHT REAR
NOT SHOWN	HCBF0616	M6X16 FLANGE HEAD BOLT – FRONT SECURE
NOT SHOWN	HCBF0620	M6X20 FLANGE HEAD BOLT – FENDER & REAR SECURE
NOT SHOWN	HCFN0602	6MM NYLOC FLANGE NUT
11	TCHA0112	FENDER – REAR
NOT SHOWN	HCBF0616	M6X16 FLANGE HEAD BOLT – FENDER & AIRBOX SECURE

CX50JR - 2008

Parts – Rear Brake

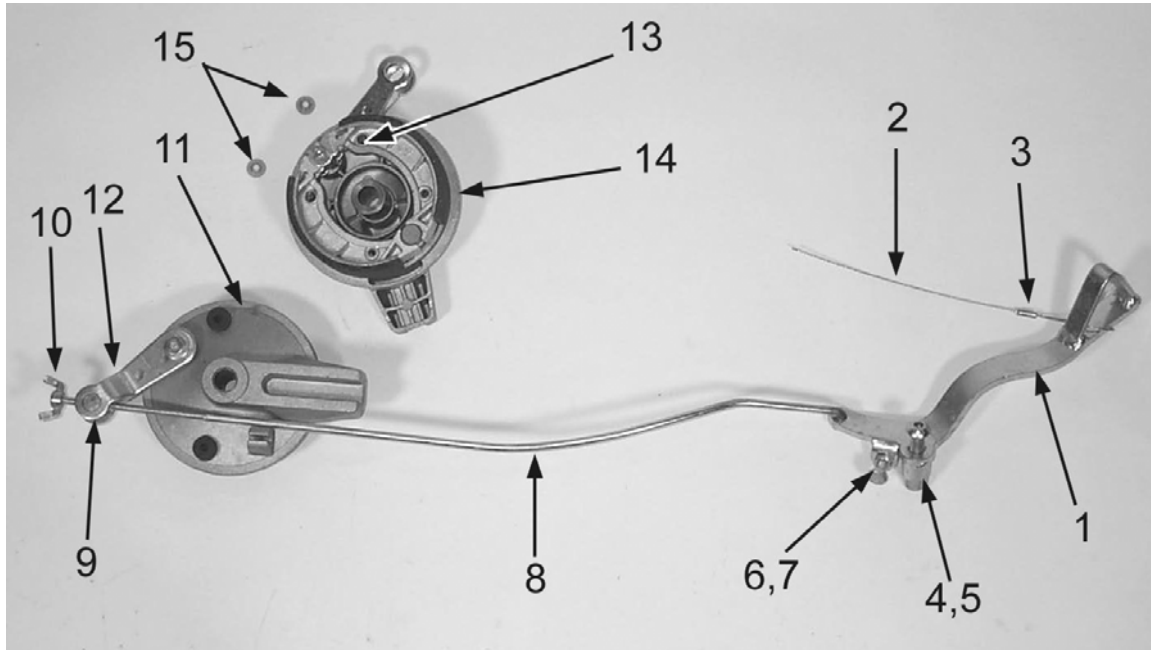


Figure 17

Rear Brake System		
REF #	PART #	DESCRIPTION
1	BCCM0002	BRAKE PEDAL W/ TEETH
2	BCMU0008	CABLE – BRAKE SNAKE
3	BCMU0009	CRIMP – BRAKE SNAKE
4	HCBB0803	M8X40 BUTTON HEAD SCREW
5	HCNL0801	8MM LOCK NUT
6	HCBH0602	M6X25 HEX HEAD BOLT (BRAKE STOP ADJUST)
7	HCNS0601	6MM NUT
8	BCCM0105	BRAKE ROD
9	BCMU0111	BRAKE ROD BARREL
10	HCNW0001	BRAKEROD WINGNUT
11	BCMU0109	BRAKE HUB - REAR
12	BCMU0112	BRAKE ARM – REAR
13	BCMU0010	SPRING – BRAKE RETURN
14	BCMU0110	BRAKE SHOE (PAIR)
15	BCMU0011	PUSH NUT – BRAKE SECURE (2 REQ'D)
16	HCCP0001	COTTER PIN - 3/32 X 1/2
17	HCWF0502	5MM FLAT WASHER

CX50JR - 2008

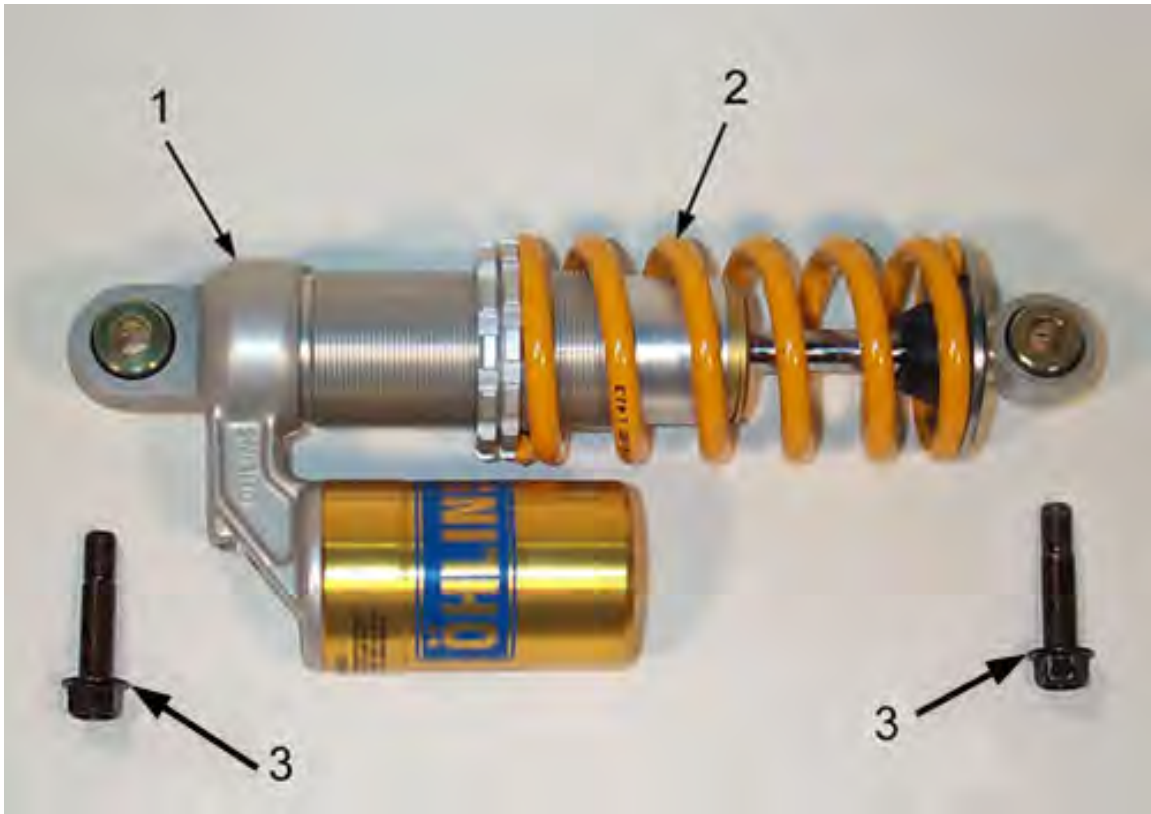
Parts – Rear Wheel



Rear Wheel		
REF #	PART #	DESCRIPTION
1	WACJ0002	WHEEL W / BEARINGS, '08 SPOKE STYLE
2	WCMU0275	TIRE – REAR 10X2.75"
3	WCMUTU10	TUBE – 10"
4	PCMU01XX	REAR SPROCKET –NO DAMPER ALUM, XX DENOTES TEETH
6	WCMU0016	REAR AXLE
7	HCPA0002	AXLE HEAD FIXING PLATE
8	WCMU0009	REAR WHEEL SPACER (SPROCKET SIDE)
9S	WCMU0120	WHEEL BEARING (SPROCKET SIDE)
9B	WCMU0020	WHEEL BEARING (BRAKE SIDE)
10	WCCJ0006	WHEEL BEARING SPACER - REAR
11	BCMU0109	BRAKE HUB - REAR
12	WCMU0009	REAR WHEEL SPACER (BRAKE SIDE)
13	HCWF1202	WASHER – AXLE
14	HCNL1201	LOCK NUT – AXLE
16	HCBH0701	M7X35 HEX HEAD BOLT
17	PCCM0001	420 X 88 LINK
18	PCMU0001	MASTER LINK – 420 CHAIN

CX50JR - 2008

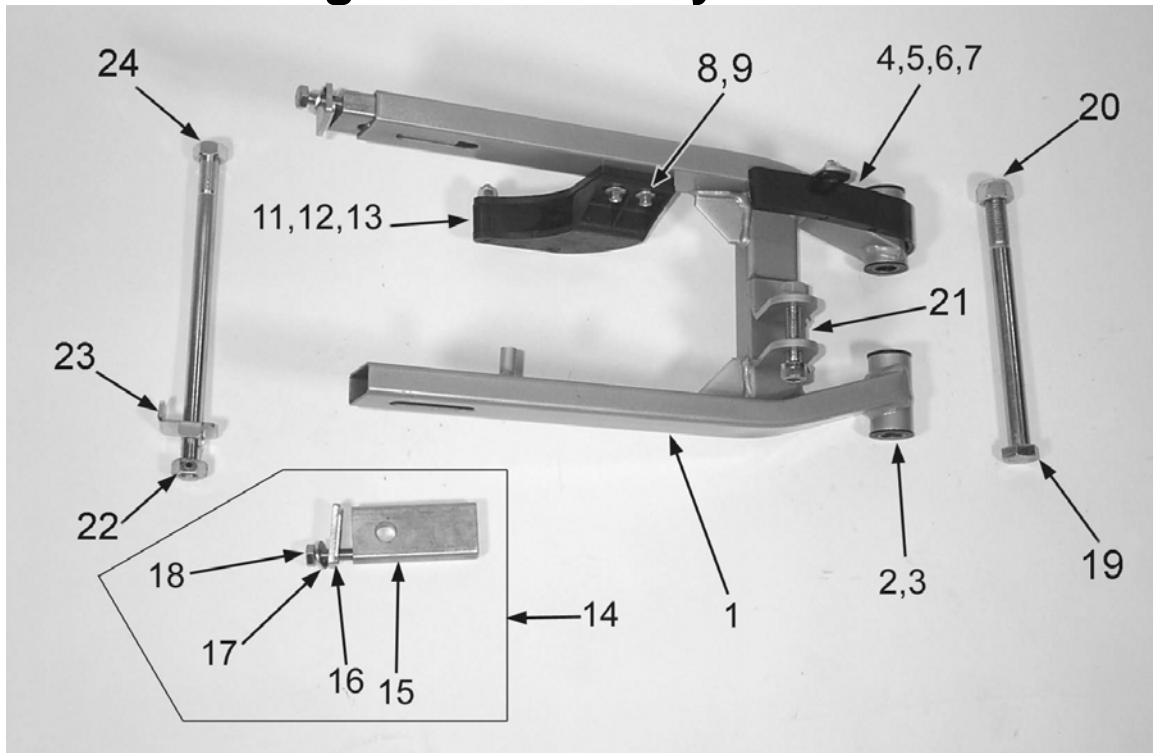
Parts – Shock



REAR SHOCK		
REF#	PART #	DESCRIPTION
1	SACM2007	SHOCK ABSORBER
2	SCMUOH05	SPRING – STANDARD (285 lb/in)
	SCMUOH04	SPRING – LIGHT (275 lb/in)
	SCMUOH06	SPRING – HEAVY (295 lb/in)
3	HCBF1040	M10X40 FLANGE HEAD BOLT

CX50JR - 2008

Parts – Swingarm Assembly



Swingarm		
REF #	PART #	DESCRIPTION
	GACM2004	SWINGARM ASSEMBLY (CONTAINS ITEMS 1 - 13)
1	GAMU0004	SWINGARM
2	GCMU0001	SWINGARM BUSHING (SINGLE PIECE)
3	GCMU0009	SPACER - PIVOT TUBE
4	GCMU0017	CHAIN GUARD
5	HCFH0516	M5X16 FLAT HEAD SCREW
6	HCWF0501	5MM FLAT WASHER
7	HCNL0501	5MM LOCK NUT
8	HCBF0620	M6X20 FLANGE HEAD BOLT (2 REQ'D)
9	PAKG0001	CHAIN GUIDE – ASSEMBLY COMPLETE
11	PCKG0004	CHAIN GUIDE - BOTTOM SLIDER
12	HCBFT640	M6 X 40 FLAT HEAD BOLT
13	HCNL0601	6MM LOCKNUT
14	FAMU0005	WHEEL PULL ASSEMBLY
15	FCMU0203	WHEEL PULL
16	FKMU0005	WHEEL PULL ENDCAP WITH WASHER
17	HCWF0801	8MM FLAT WASHER
18	HCBH0810	M8X65 HEX HEAD BOLT (FULL THREAD)
19	HCBF1403	SWINGARM PIVOT BOLT
20	HCNL1402	14MM LOCK NUT
21	HCBF1040	M10X40 FLANGE HEAD BOLT
22	WCMU0016	AXLE BOLT
23	HCPA0002	AXLE HEAD FIXING PLATE
24	HCNS1201	12MM LOCKNUT