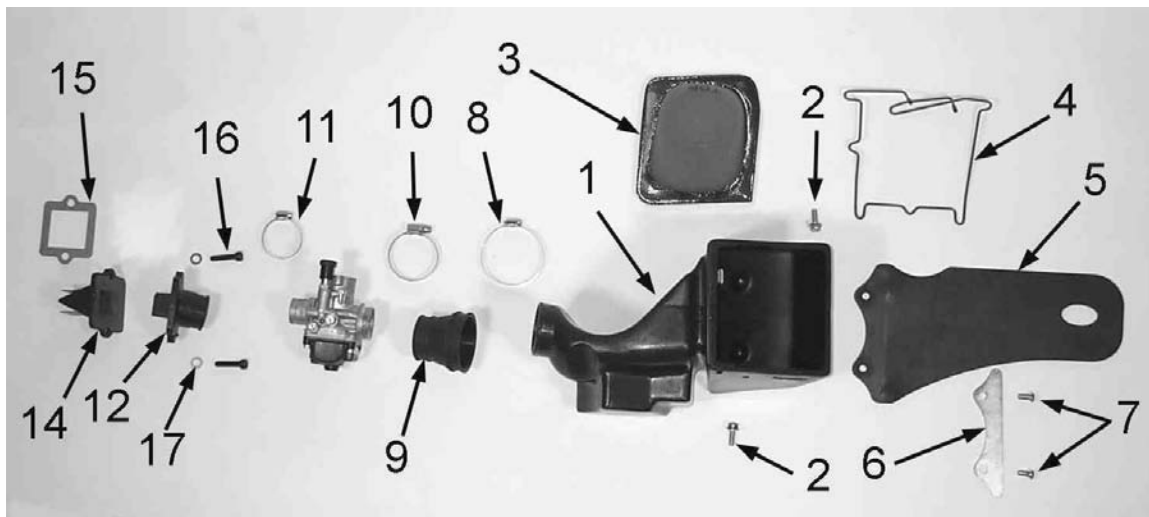


Cobra - 2006 KING

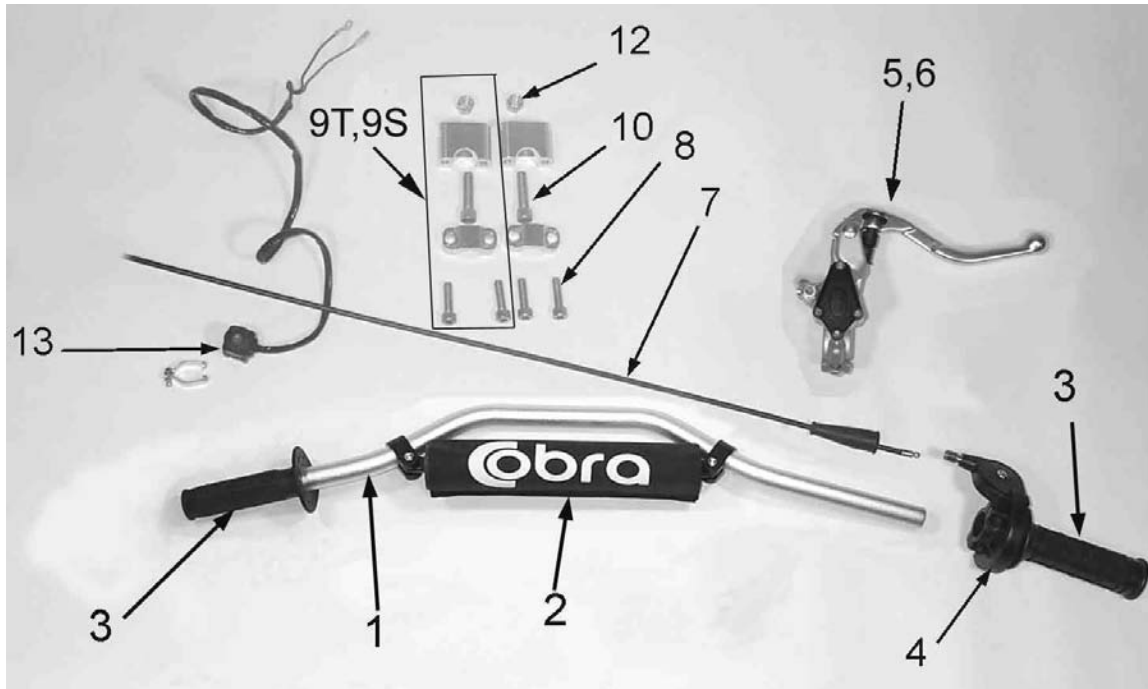
Airbox & Inlet System



REF #	PART #	DESCRIPTION
1	RCKG0001	AIRBOX
2	HCBF0616	M6X16 FLANGE HEAD BOLT
3	RCKG0512	AIR FILTER
4	RCKG0503	FILTER RETAINER
5	TCKG0004	MUDFLAP - AIRBOX
6	TCKG0105	BRACKET - MUDFLAP
7	HCBB0612	M6X12 BUTTON HEAD BOLT
8	MCKGHO03	HOSE CLAMP - AIRBOX TO BOOT
9	RCKG0505	AIR BOOT
10	MCKGHO01	HOSE CLAMP - BOOT TO CARB
11	MCKGHO04	HOSE CLAMP - CARB TO MANIFOLD
12	ECKG0203	INLET MANIFOLD
14	ECKG0202	REED CAGE ASSEMBLY WITH REEDS
NOT SHOWN	ECKG0205	REED REPLACEMENT KIT
15	ZCMU0032	GASKET - REEDS TO ENGINE
16	HCBC0625	M6X25 SOCKET HEAD CAP SCREW
17	HCWF0601	6MM FLAT WASHER
18	RCCM1301	VELOCITY STACK

Cobra - 2006 KING

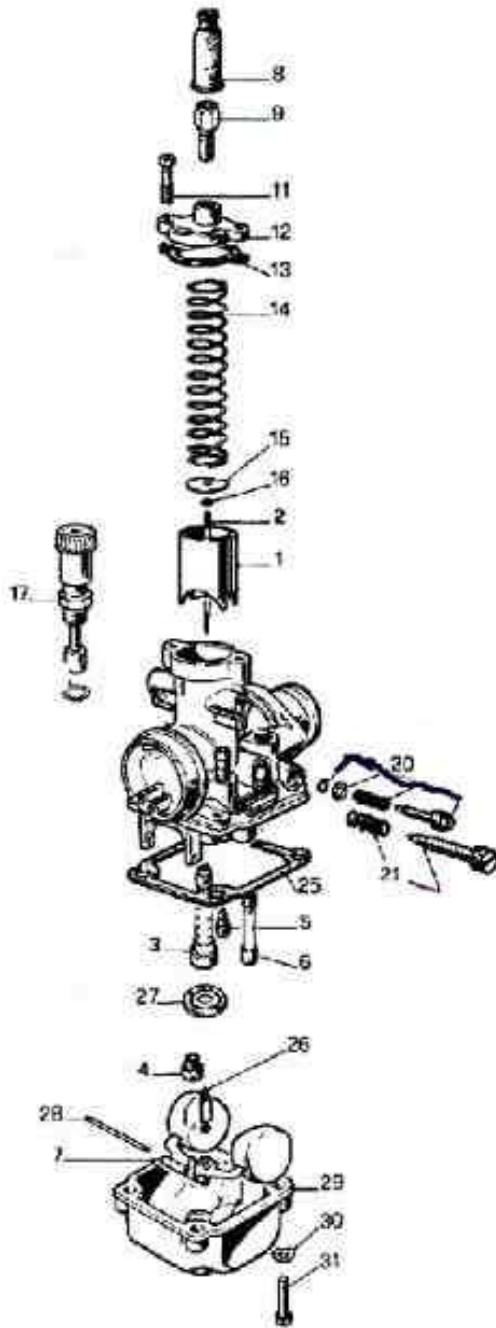
Bars and Controls



REF #	PART #	DESCRIPTION
1	TCMU0402	HANDLEBAR - ALUMINUM
2	MCMU0001	OPTIONAL CROSS BAR PAD
3	TCMU0008	GRIPS (SET OF TWO)
4	FCMU0066	THROTTLE ASSEMBLY
NOT SHOWN	FCMU0068	THROTTLE COVER
5	BCKG0023	ALLOY BRAKE LEVER W/BALL
6	BCKG0024	BRAKE PERCH ASSY W/LEVER & BALL
NOT SHOWN	BAKG0004	SHIELDED BRAKE HOSE ASSEMBLY
7	FCMU0019	THROTTLE CABLE
8	HCBC0806	SOCKET HEAD CAP SCREW M8 X 30 (4 PER)
9S	TKMU0404M	BAR MOUNT KIT, SHORT (2 PER)
9T	TKMU0403M	BAR MOUNT KIT, TALL (2 PER)
10	HCBC1001	M10X45 SOCKET HEAD CAP SCREW (2 REQ'D PER BIKE)
12	HCNL1001	M10 LOCK NUT
NOT SHOWN	HCBH0816	M8 X 16 HEX HEAD BOLT
NOT SHOWN	HCWF0801	8MM FLAT WASHER
13	FCMU0033	KILL SWITCH ASSEMBLY

Cobra - 2006 KING

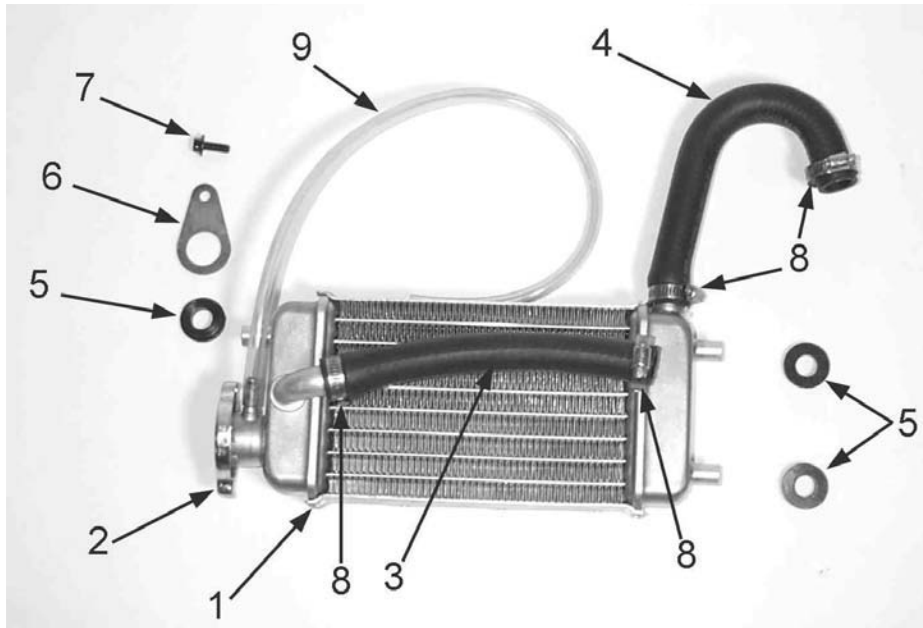
Carburetor



REF. #	PART #	DESCRIPTION
1	RCMU0305	CARB SLIDE
2	RCMU0601	NEEDLE
3	RCMU00	ATOMIZER 2.62 AU
4	RCMU0096	MAIN JET
5	RCMU0065	PILOT JET
6		CHOKE JET
7	RCMU0301	FLOAT
8	RCMU0102	RUBBER CABLE CAP SEAL
9	RCMU0003	CABLE ADJUSTOR
11	RCMU0006	TOP CARB SCREW
12	RCMU0106	CARB TOP
13	ZCMU0007	TOP CARB GASKET
14	RCMU0004	SLIDE SPRING
15	RCMU0205	NEEDLE RETAINER PLATE
16	RCMU0007	NEEDLE CLIP
17	RCMU0204	CHOKE ASS'Y. 2001 CM
20	RCMU0009	FUEL MIXTURE SCREW
21	RCMU0011	IDLE ADJUSTMENT SCREW
25	RCMU0103	FLOAT BOWL GASKET
26	RCMU0107	FLOAT NEEDLE
27	RCMU0012	DIFFUSER
28	RCMU0016	FLOAT RETAINER PIN
29	RCMU0108	FLOAT BOWL
30	RCMU0201	BOTTOM FLOAT SCREW
31		
NOT SHOWN	RCCM1301	VELOCITY STACK -05
NOT SHOWN	MCKGHO01	CLAMP - CARBURETOR TO FILTER
Not Shown	FCMU0026	FUEL LINE
Not Shown	MCMUCL04	HOSE CLAMPS - FUEL LINE

Cobra - 2006 KING

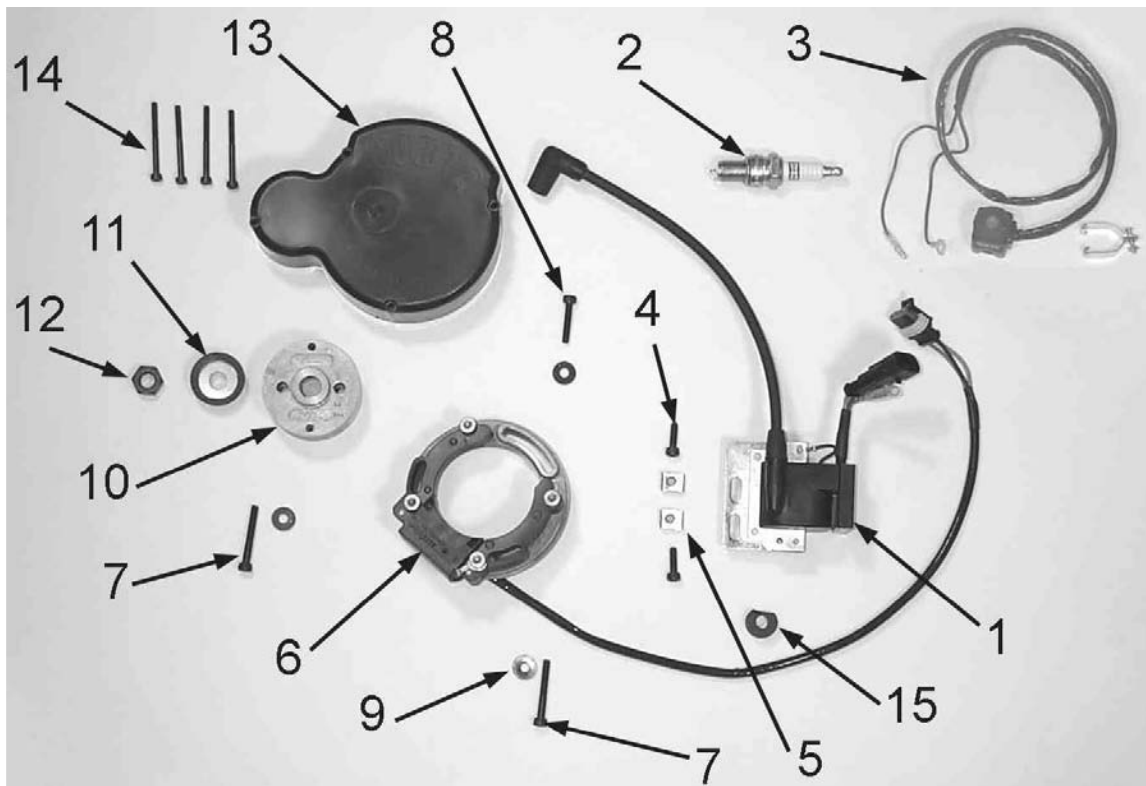
Coolant System



REF #	PART #	DESCRIPTION
1	FCKG0036	RADIATOR WITH CAP
2	FCMU0047	RADIATOR CAP (2 ears or ribbed)
3	MCMUHO05	RADIATOR HOSE, TOP, LEFT
4	MCKGHO02	RADIATOR HOSE, BOTTOM, RIGHT
5	MCMUGR03	MOUNTING GROMMET (3 PER)
6	FCMU0006	RADIATOR MOUNTING BRACKET (TEARDROP)
7	HCBF0616	FLANGE HEAD BOLT M6X16
8	MCMUCL07	HOSE CLAMP (4 REQ'D)
9	ECHA0002	RADIATOR VENT HOSE
Not Shown	FCKG0001	LOUVER
Not Shown	HCSP0002	PUSHPIN (2 REQ'D)
Not Shown	HCCN0000	5 MM CLIP NUT

Cobra - 2006 KING

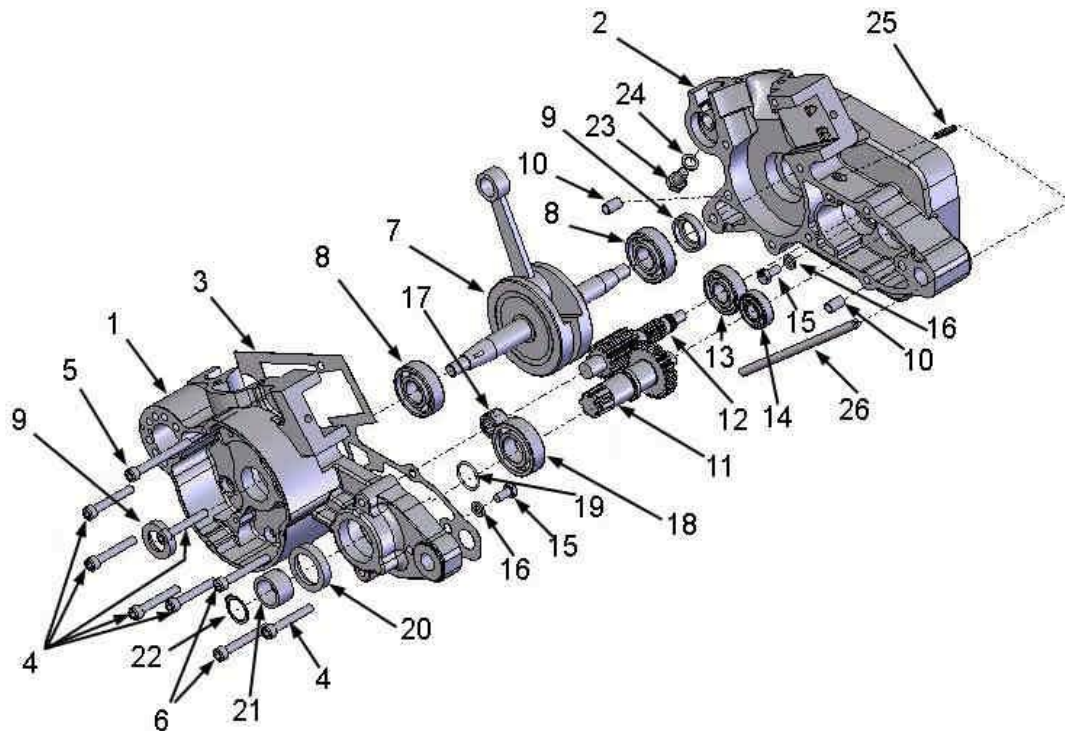
Electrical System



REF #	PART #	DESCRIPTION
1	IAMU0005	COIL W/SPARK PLUG CAP
2	ECMU0065	SPARK PLUG, CHAMPION (8339-1)
2H	ECMU0067	OPTIONAL HOTTER PLUG (8332-1)
2C	ECMU0066	OPTIONAL COLDER PLUG (8904-1)
3	FCMU0033	KILL SWITCH ASSEMBLY
4	HCBC0516	SCREW, M5 X 16 (2 PER)
5	HCCN0000	5MM CLIP NUT (2 PER)
6	ICMU0018	STATOR
7	HCBC0535	5mm x 35 SOCKET HEAD CAP SCREW (2 REQ'D)
8	HCBC0525	5mm x 25 SOCKET HEAD CAP SCREW
9	HCWF0504	WASHER FOR STATOR (3 PER)
10	ICMU0006	ROTOR
NOT SHOWN	ICMU0012	WOODRUFF KEY
11	ECKG0042	PULLEY, WATERPUMP CRANK
12	HCNS1001	NUT 10MM
13	ECKG0001	IGNITION COVER
14	HCBC0445	M4 X 45 SOCKET HEAD CAP SCREW (4 REQ'D)
NOT SHOWN	ZCKG0101	GASKET - IGNITION COVER
15	MCKGGR01	GROMMET - STATOR LEAD

Cobra - 2006 KING

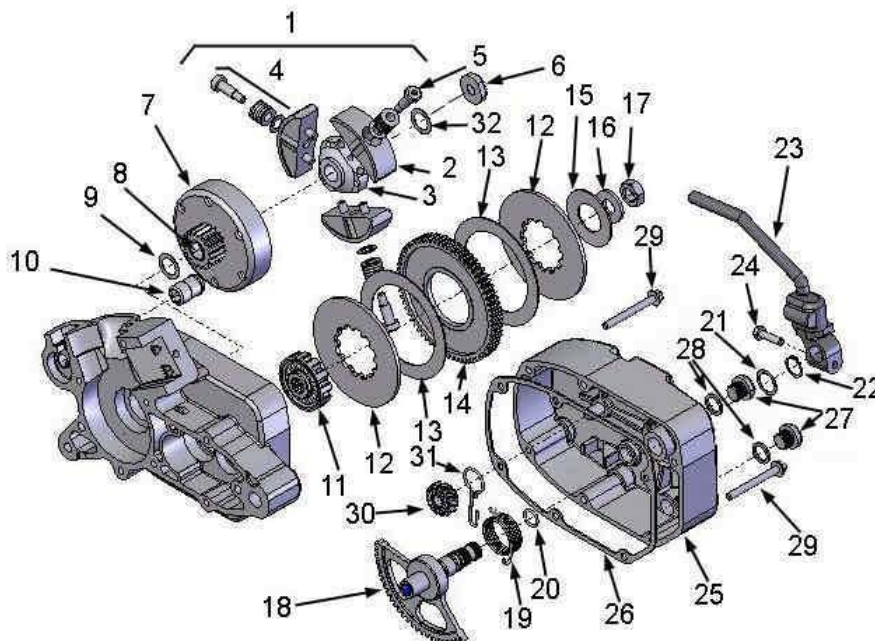
Bottom End and Transmission



REF #	PART #	DESCRIPTION
1	ECKG0032	CRANKCASE, IGNITION SIDE no bearings
2	ECKG0033	CRANKCASE, CLUTCH SIDE, no bearings
3	ZCMU0601	GASKET, CRANKCASE CENTER
4	HCBC0605	6X40MM SOCKET HEAD CAP SCREW (6 REQ'D)
5	HCBC0608	6X55MM SOCKET HEAD CAP SCREW (1 REQ'D)
6	HCBC0606	6X45MM SOCKET HEAD CAP SCREW (2 REQ'D)
7	ECMU0038	CRANKSHAFT
8	ECMU0016	BEARING, CRANKSHAFT
9	ECMU0118	SEAL, CRANKSHAFT
10	ECDC0031	DOWEL, ENGINE CASE ALIGNEMENT (2 REQ'D)
11	ECMU0099	OUTPUT SHAFT, TRANSMISSION WITH GEAR
12	ECMU0100	SECONDARY SHAFT, TRANSMISSION WITH GEAR
13	ECMU0001	BEARING, TRANSMISSION SECONDARY SHAFT
14	ECKG0031	BEARING OUTPUT SHAFT, RIGHT SIDE
15	HCBH0612	M6X12 HEX HEAD SCREW - BEARING RETAINER (2 PLACES)
16	HCWL0601	6MM LOCK WASHER (2 PLACES)
17	ECMU0020L	BEARING, TRANSMISSION PRECISION
18	ECKGBR01	BEARING, TRANSMISSION OUTPUT SHAFT
19	ZCDCOR01	O-RING, SPROCKET SPACER
20	ECMU0072	SEAL, OUTPUT SHAFT
21	ECMU0073	SPACER, SPROCKET
22	ECKGSR03	SNAP RING, SPROCKET
NOT SHOWN	PCKG0014	SPROCKET, 14 T
23	HCBH0805	M8X12 SCREW - COOLANT DRAIN
24	HCWC0000	COPPER GASKET
25	ECMU0503	FITTING, CRANKCASE VENT
26	RCMU0021	VENT HOSE, CRANKCASE

Cobra - 2006 KING

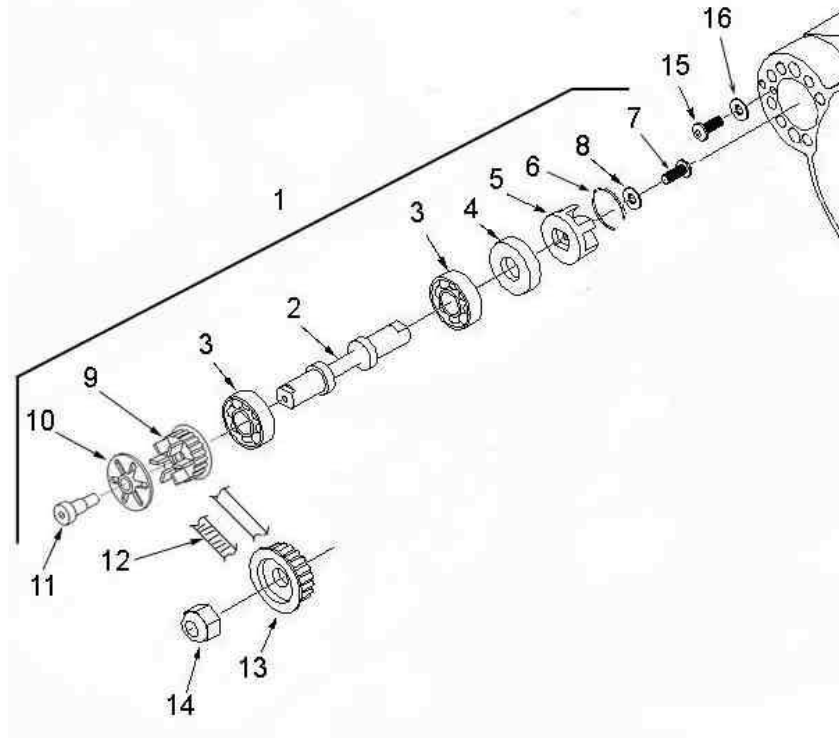
Engine Clutch and Kicker



REF #	PART #	DESCRIPTION
1	CAMU0005	CLUTCH COMPLETE
2	CAMU0013	CLUTCH SHOES (SET OF 3) WITH BOLT & WASHERS
3	CCMU0029	CLUTCH ARBOR
4	CAMU0010	SPRINGS, WASHER & BOLT (SET OF 3)
5	HCBS0004	CLUTCH BOLT (3 REQ'D)
6	ECMU0018	CLUTCH NUT, SPECIAL
7	ECMU0120	CLUTCH BASKET WITH NEEDLE BEARING
8	ECMU0119	CLUTCH BEARING
9	ECMU0040	CLUTCH TO HUB SPACER (0.030", 0.76MM)
	ECMU0040T	CLUTCH TO HUB SPACER (THIN - 0.015", 0.38MM)
10	ECMU0132	COOLANT FITTING
11	ECMU0141	HUB, CFD
12	ECMU0142	PLATE, CFD (2 REQ'D)
13	EKMU0003	PAPER AND SHIM CFD UPGRADE KIT (INCLUDES 2 PAPER AND 1 SHIM)
14	ECMU0144	GEAR, CFD
15	ECMU0145	SPRING WASHER, CFD
16	HCWF0002	WASHER FLAT, CFD (13MM)
17	HCNS1202	NUT, CFD (1/2-20 LEFT HAND THREAD - BLUE)
18	EAMU0001	KICKSTART GEAR & SHAFT
19	ECMU0116	SPRING, KICKSTART
20	ZCMUB014	O-RING KICK SHAFT
21	ECDC0043	SHIM, KICK SHAFT
22	ECDC0036	SNAP RING, KICK SHAFT
23	ECDC0046	KICK LEVER W/BOLT
24	HCBF0620	6MM X 20 FLANGE HEAD BOLT
25	ECMU0115	CLUTCH COVER
26	ZCMU0030	CLUTCH COVER GASKET
27	ECMU0037	OIL FILL PLUG
28	ZCMU0005	GASKET, OIL FILL / DRAIN PLUG
29	HCBF0655	6MM X 55 FLANGE HEAD (6 REQ'D)
30	ECMU0207	KICKSTART GEAR SMALL
31	ECMUSP01	KICK START DOG SPRING (PAPER CLIP)
32	HCWS0802	WASHER - KICK GEAR SPACING

Cobra - 2006 KING

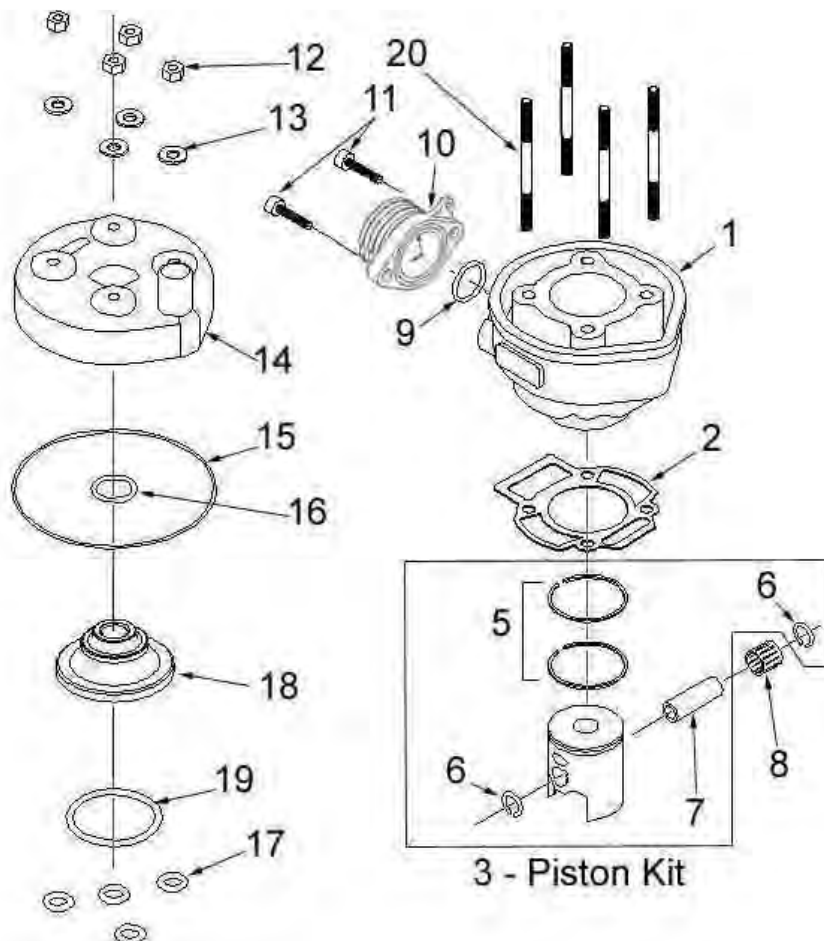
Ignition and Water Pump



REF #	PART #	DESCRIPTION
1	EKMU0001	WATER PUMP KIT
2	ECKG0142	SHAFT, WATER PUMP
3	ECKG0072	BEARING, WATER PUMP
4	ECKG0074	SEAL, WATER PUMP SHAFT
5	ECKG0073	IMPELLER, WATER PUMP
6	ECKG0004	RETAINER, WATER PUMP ASSEMBLY
7	HCBB0003	5MM X 12 BUTTON HEAD STAINLESS
8	HCWF0501	FLAT WASHER
9	ECKG0175	WATER PUMP PULLEY, FAN TYPE - DRIVEN
10	ECMU0180	BELT RETAINER
11	HCBS0003	SHOULDER BOLT 6MM
12	ECKG0170	WATER PUMP BELT
13	ECKG0042	WATER PUMP PULLEY, CRANK
14	HCNS1001	NUT 10MM
15	HCBC0408	M4mm x 8 SOCKET HEAD black oxide
16	HCWF0401	4MM WASHER

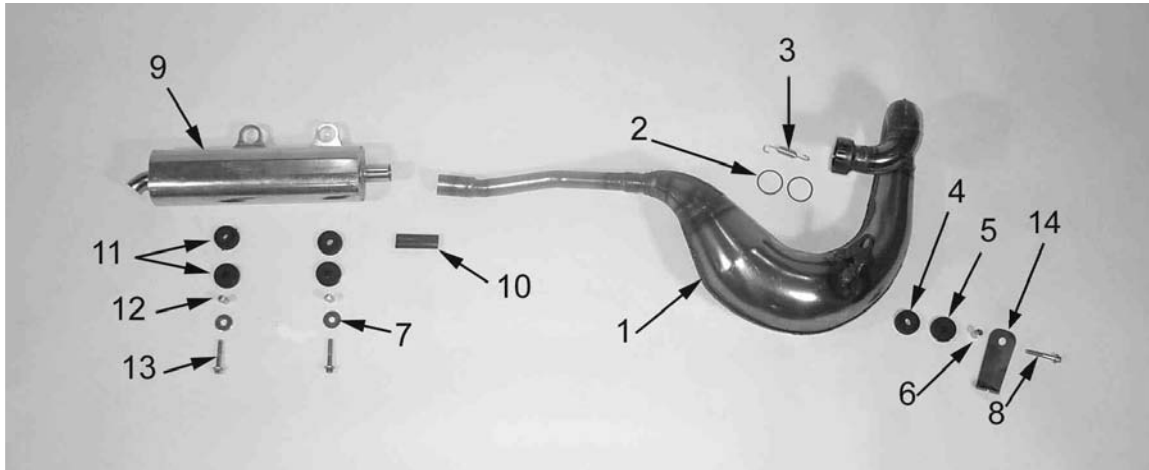
Cobra - 2006 KING

Top End



REF #	PART #	DESCRIPTION
1	ECMU0052	CYLINDER
2	ZCKG0501	BASE GASKET
3	ECMU0060	PISTON KIT
5	ECMU0155	PISTON RINGS (2 PER SET)
6	ECMUSR00	SNAP RING FOR PISTON (2 REQ'D)
7	ECKG0012	WRIST PIN
8	ECMU0077	BEARING, WRIST PIN
9	ZCMUOR07	O-RING, EXHAUST FLANGE
10	ECMU0086	EXHAUST FLANGE
NOT SHOWN	ZCMOTE11	O-RINGS - PIPE TO FLANGE (2 REQ'D)
11	HCBC0602	M6X20, EXHAUST FLANGE SCREW (2 REQ'D)
12	HCNS0601	6mm Nut
13	HCWF0601	6MM FLAT WASHER
14	ECKG0530	CYLINDER HEAD OUTER
15	ZCMUOR02	O-RING, CYLINDER HEAD LARGE
16	ZCMUV024	O-RING CYLINDER HEAD SMALL
17	ZCMUOR10	O-RING CYLINDER STUD (4 REQ'D)
18	ECMU0532	CYLINDER HEAD, INSERT
19	ZCMUV032	O-RING CYLINDER HEAD MEDIUM
20	ECMU0075	STUD, CYLINDER 6mm
NOT SHOWN	ZAKGTE05	TOP END GASKET KIT

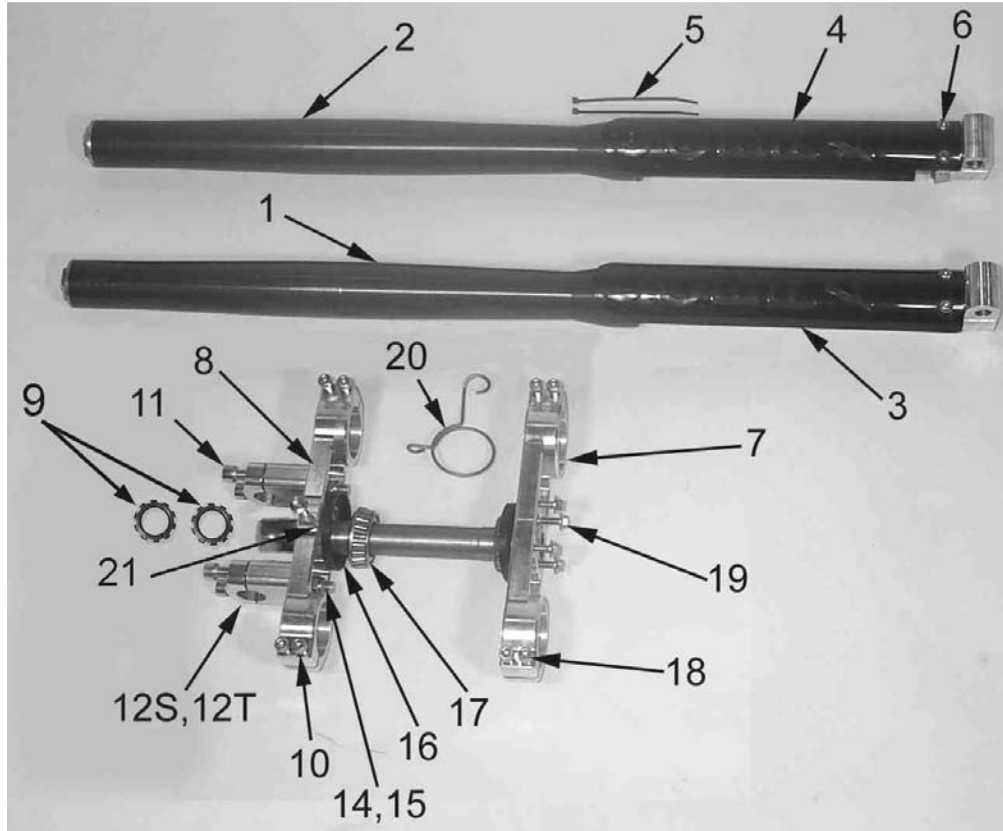
Cobra - 2006 KING Exhaust System



REF #	PART #	DESCRIPTION
1	XCKG2005	2005 KING EXHAUST PIPE
2	ZCMOTE11	HEADER PIPE O-RINGS (2 REQ'D)
3	XCMU0005	EXHAUST SPRING - SHORT
4	MCMUGR06	PIPE GROMMET MALE
5	MCMUGR07	PIPE GROMMET FEMALE
6	MCMUSP02	PIPE GROMMET SPACER
7	HCWF1478	PIPE GROMMET WASHER (2 REQ'D)
8	HCBF0635	M6X35 FLANGE HEAD BOLT
NOT SHOWN	HCHA0003	6MM CLIP NUT - FOR FRONT PIPE MOUNT
9	XCDC0003	SILENCER
NOT SHOWN	XCMU0026	SILENCER PACKING - LONG
10	XCKG0009	PIPE / SILENCER SEAL
11	MCMUGR03	MOUNTING GROMMET (4 REQ'D TOTAL, 2 PER BOLT)
12	TCKG0001	SPACER (2 REQ'D)
13	HCBF0630	M6X30 FLANGE HEAD BOLT (2 REQ'D)
NOT SHOWN	HCNF0601	6MM FLANGE NUT (2 REQ'D) - SILENCER MOUNTING NUT
14	FCKG0028	BRACKET - RIGHT SIDE RADIATOR SHROUD Clipnut?????
NOT SHOWN	HCCN0000	5MM CLIP NUT (ON SHROUD BRACKET)

Cobra - 2006 KING

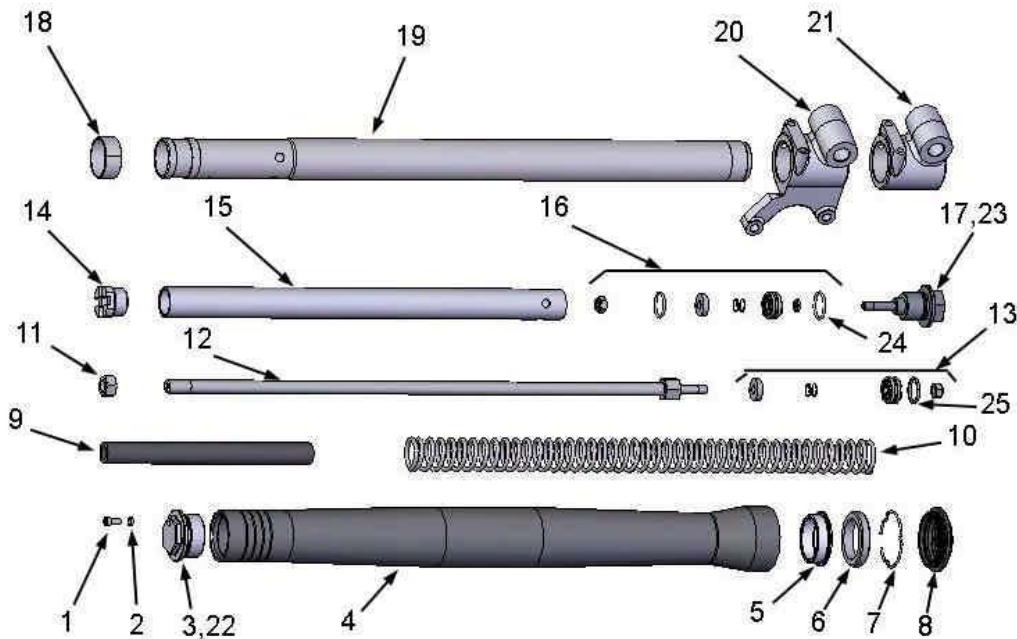
Forks & Triple Clamps



REF #	PART #	DESCRIPTION
1	KAKG0020	FORK COMPLETE, NON-BRAKE SIDE
2	KAKG0021	FORK COMPLETE, BRAKE SIDE
3	KCKG0140	FORK GUARD SET
4	KCKG0140	FORK GUARD SET
5	MCMUZT04	CABLE TIE (2 REQ'D)
6	HCBB0612	M6X12, BUTTON HEAD SCREW (4 REQ'D)
7	FAKG0010	TRIPLE CLAMP BOTTOM ASSY, (1 BEARING AND DUST COVER)
8	FCKG0033	TRIPLE CLAMP UPPER
9	HCNJ0102	STEERING HEAD JAM NUT (2 REQ'D)
10	HCBC0625	SOCKET HEAD CS M6X25 (4 REQ'D)
11	HCBC0806	CAP SCREW M8X30 (4 REQ'D)
12S	TCMU0404	BAR MOUNT KIT, SHORT (2 REQ'D)
12T	TCMU0403	BAR MOUNT KIT, TALL (2 REQ'D)
14	HCBC1001	M10X45 SOCKET HEAD CAP SCREW (2 REQ'D PER BIKE)
15	HCNL1001	M10 LOCK NUT
NOT SHOWN	HCBH0816	M8 X 16 HEX HEAD BOLT
NOT SHOWN	HCWF0801	8MM FLAT WASHER
16	FCMU0103	DUST COVER (2 REQ'D)
17	FCMU0004	STEERING HEAD BEARING (2 REQ'D)
NOT SHOWN	FCMU0011	STEERING HEAD RACE (2 IN STEERING HEAD)
18	HCBC0625	SOCKET HEAD CS M6X25 (4 REQ'D)
19	HCBF0616	FENDER BOLT, M6X16 FLANGE HEAD (4 REQ'D)
20	FCKG0213	BRAKE LINE HOLDER
21	HCBF0620	M6X20 FLANGE HEAD BOLT (NUMBER PLATE FASTNR)

Cobra - 2006 KING

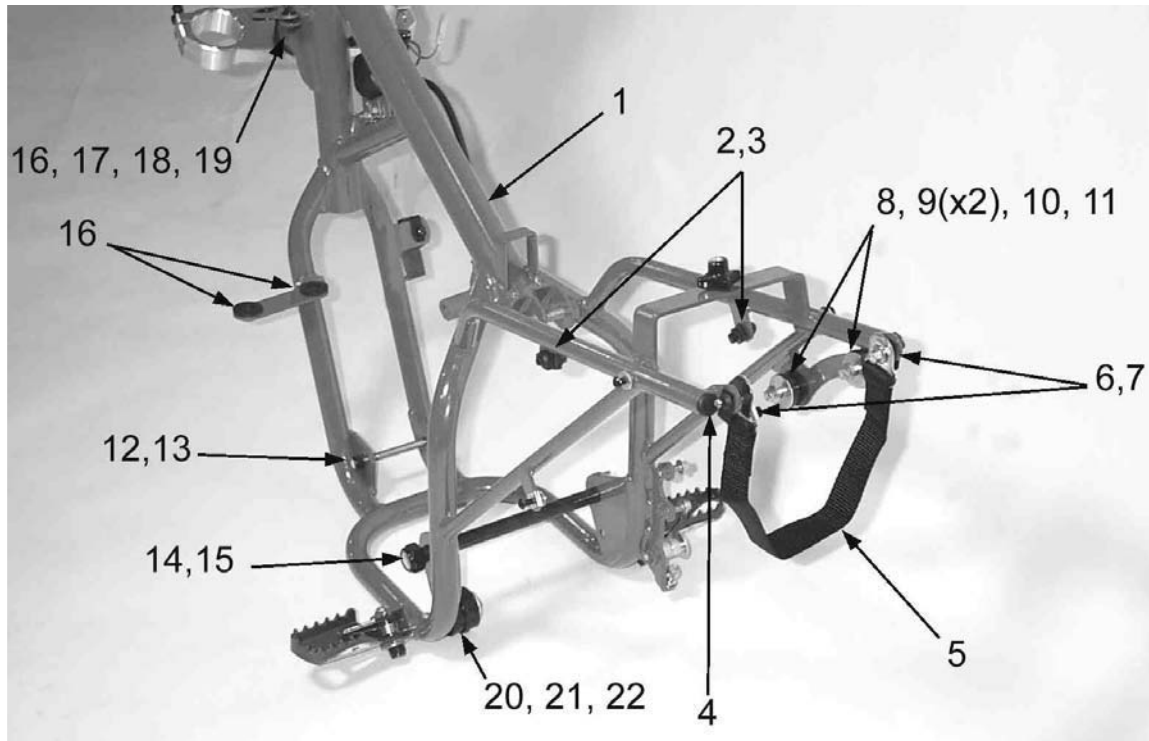
Leg Assembly



REF #	PART #	DESCRIPTION
1	HCBC0408	M4 X 8 SHCS (BLEED SCREW)
2	ZCKG0001	GASKET BLEED SCREW
3	KCKG0047	FORK CAP
4	KCKG0121	FORK LEG OUTER
5	KCKG0051	BUSHING FORK LEG
6	KCMU0007	FORK SEAL
7	KCKG0052	WIRE FORK ASSY RETAINING
8	KCKG0008	DUST COVER
9	KCKG0048	RUBBER CUSHION
10	KCKG1206	FORK SPRING
11	HCNJ0038	NUT - DAMPER ROD
12	KAKG0001	DAMPER ROD ASSEMBLY
13	KAKG0025	MID VALVE ASSEMBLY (STANDARD)
	KAKG0026	MID VALVE ASSEMBLY (LIGHT)
	KAKG0027	MID VALVE ASSEMBLY (HEAVY)
14	KCKG0022	CARTRIDGE CAP
15	KCKG0019	DAMPER TUBE (CARTRIDGE)
16	KAKG0022	BASE VALVE ASSEMBLY (STANDARD)
	KAKG0023	BASE VALVE ASSEMBLY (LIGHT)
	KAKG0024	BASE VALVE ASSEMBLY (HEAVY)
17	KCKG0018	BOTTOM PLUG
18	KCKG0049	GLIDE RING
19	KCKG0014	FORK LEG INNER
20	KCKG0044	FORK BOTTOM BRAKE SIDE
21	KCKG0045	FORK BOTTOM NON-BRAKE SIDE
22	ZCMUOR08	O-RING GASKET FORKCAP
23	ZCKGB017	O-RING BOTTOM PLUG
24	KCDC0005	O-RING BASE VALVE
25	KCDCSL01	SEAL BAND MID VALVE

Cobra - 2006 KING

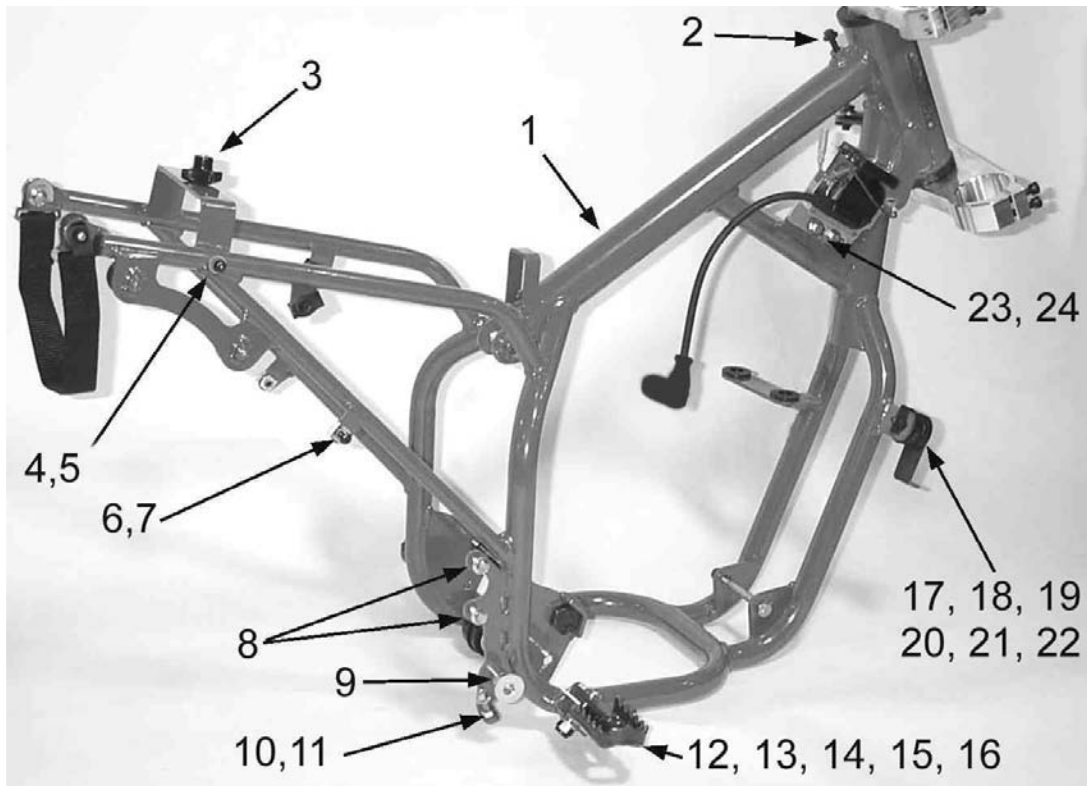
Frame I



REF #	PART #	DESCRIPTION
1	FAKG0011	FRAME 2005 KING
2	HCBF0616	M6X16 FLANGE HEAD BOLT
3	HCHA0003	6MM "U" NUT
4	TCKG0007	PLUG - FRAME END
5	MCMU0003	STRAP - HANDLE
6	HCBF0620	M6X20 FLANGE HEAD BOLT
7	HCHA0003	6MM "U" NUT
8	HCBF0630	M6X30 FLANGE HEAD BOLT
9	MCMUGR03	GROMMET (2 REQ'D PER BOLT)
10	TCKG0001	ALUMINUM SPACER
11	HCWF1478	PIPE GROMMET WASHER
12	HCBH0880	FRONT ENGINE MOUNT BOLT, M8X30 SHCS
13	HCNL0801	8MM LOCKNUT
14	HCBF1403	SWINGARM PIVOT BOLT
15	HCNL1402	SWINGARM LOCK NUT (M14 X1)
16	MCMUGR03	GROMMET
17	HCBF0616	M6X16 FLANGE HEAD BOLT
18	FCMU0006	RADIATOR MOUNTING BRACKET (TEARDROP)
19	HCHA0003	6MM "U" NUT
20	FCMU0057	CHAIN ROLLER
21	HCWF1201	WASHER FLAT, CHAIN ROLLER (2 REQ'D)
22	HCCP0002	COTTERPIN 3/32 X 1 (2 REQ'D)

Cobra - 2006 KING

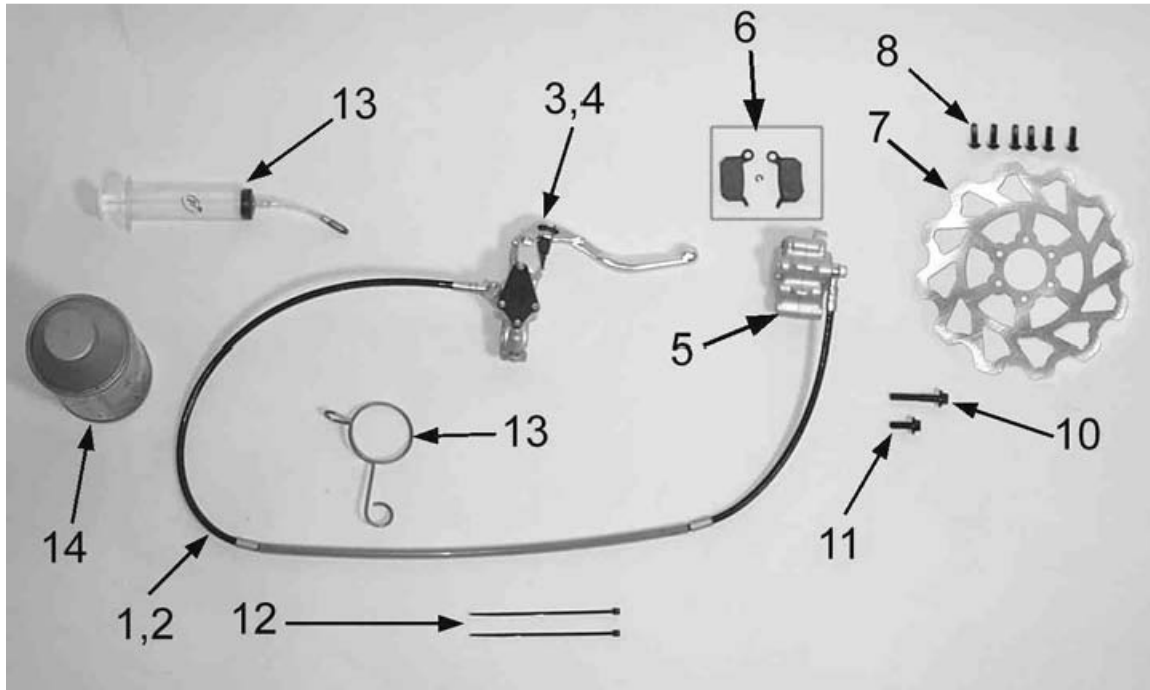
Frame II



REF #	PART #	DESCRIPTION
1	FAKG0011	FRAME 2005 KING
2	HCBF0616	M6X16 FLANGE HEAD BOLT
3	HCNK0001	KNOB - SEAT FASTENING
4	HCBB0516	M5X16 BUTTON HEAD BOLT
5	HCWP0002	ALUMINUM WASHER
6	HCBB0516	M5X16 BUTTON HEAD BOLT
7	HCCN0000	5 MM CLIPNUT
8	HCBF0620	M6X20 FLANGE HEAD BOLT
9	BCDC0009	BRAKE PIVOT BOLT
10	BCBH0601	M6 X 20 HEX HEAD BOLT
11	HCNS0601	6MM NUT
12	TCMU0010	WIDE FOOTPEGS (PAIR)
13	TCMU0107	FOOTPEG SPRING (2 PER)
14	HCBB0803	M8X40 BUTTON HEAD BOLT (2 PER)
15	HCNL0801	8MM LOCK NUT (2 PER)
16	HCWF5601	FLAT WASHER (2 PER)
17	HCBF0630	FLANGE HEAD BOLT, M6X30
18	MCMUGR06	PIPE GROMMET MALE
19	MCMUGR07	PIPE GROMMET FEMALE
20	MCMUSP02	PIPE GROMMET SPACER
21	FCKG0028	BRACKET - RIGHT SIDE RAD SHROUD
22	HCHA0003	6MM "U" NUT
23	HCBH0502	M5X16 HEX HEAD BOLT
24	HCCN0000	5 MM CLIPNUT
25	HCWF0601	6MM FLAT WASHER (ONLY 1 USED)

Cobra - 2006 KING

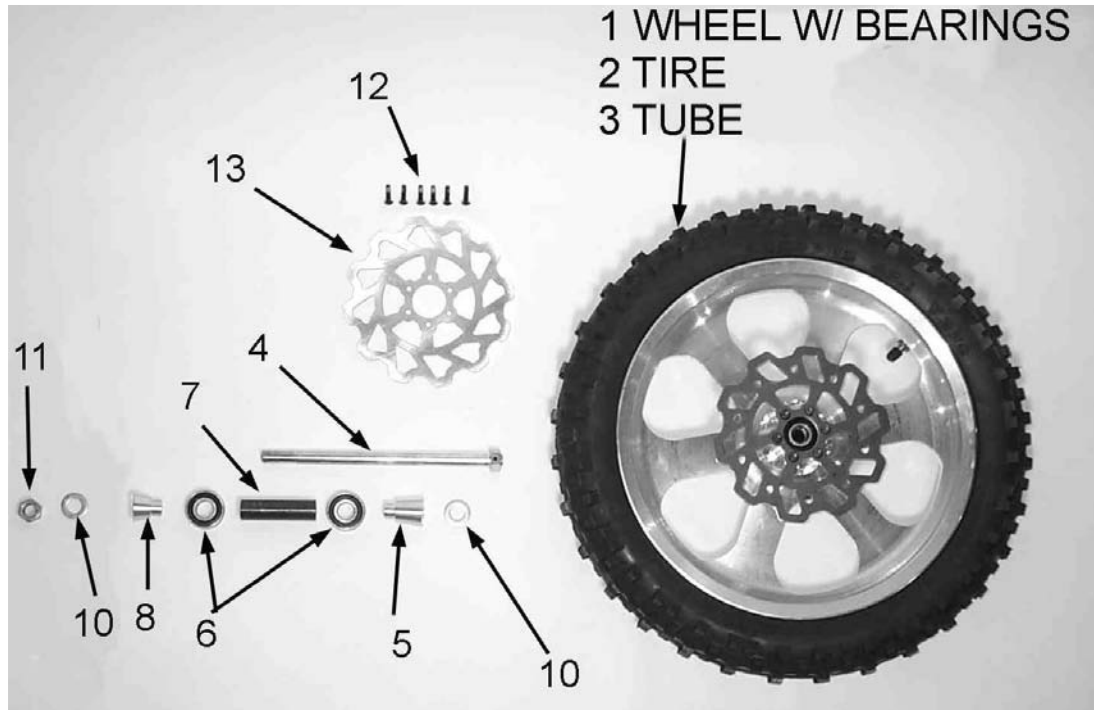
Front Brakes



REF#	PART #	DESCRIPTION
1	BAKG0003	FRONT BRAKE ASSEMBLY
2	BCKG0030	HOSE – BRAKE FRONT
3	BCKG0023	ALLOY BRAKE LEVER
4	BCKG0024	BRAKE PERCH & MASTER CYLINDER ASSY W/ LEVER
5	BCKG0029	CALIPER – FRONT
6	BCKG0009	BRAKE PADS, WITH “E” CLIP
7	BCMU0503	BRAKE ROTOR
8	HCBB0516	M5X16 BUTTON HEAD BOLTS WITH THREAD LOC
10	HCBF0635	M6 X 35 FLANGE HEAD BOLT updated these for new fork bottoms
11	HCBF0616	M6 X 16 FLANGE HEAD BOLT
12	WCMUZT04	CABLE TIES (2 REQ'D) TO SECURE BRAKE LINE TO FORK GUARD
13	BCKG0031	BLEED KIT (MULTIPLE SYRINGES, FITTINGS & HOSE)
14		BRAKE FLUID
15	FCKG0213	GUIDE – FRONT BRAKE LINE
ACCESSORY	BCKG0028	LEVER ADJUSTMENT KIT
ACCESSORY	BCKG0027	RESERVOIR SEAL KIT
ACCESSORY	BCKG0025	REPLACEMENT BAR CLAMP AND SCREWS (FOR MASTER CYLINDER)
ACCESSORY	BCKG0026	PISTON & REBUILD KIT FOR MASTER CYLINDER
ACCESSORY	BCKG0014	FITTING KIT (BANJO BOLT, SMALL O-RING & SET SCREW)
ACCESSORY	BCKG0015	CALIPER PISTONS & SEALS
ACCESSORY	BCKG0019	RETURN SPRING (4 FINGER SPRING)

Cobra - 2006 KING

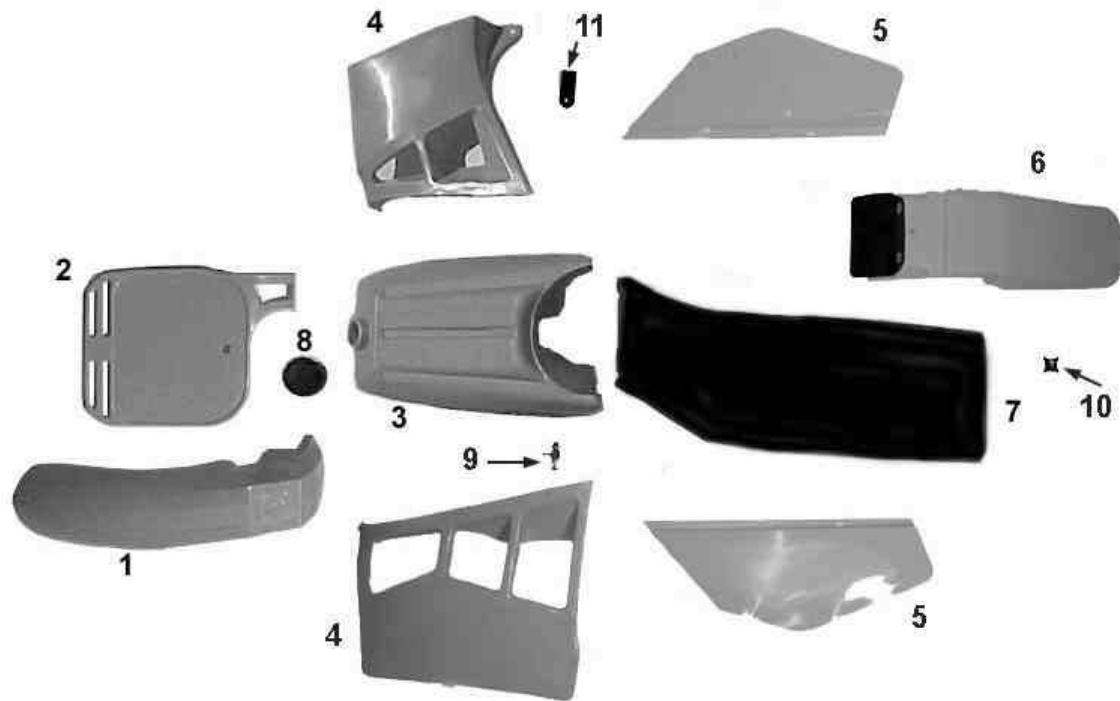
Front Wheel



REF #	PART #	DESCRIPTION
1	WAKG0022	FRONT WHEEL COMPLETE
2	WCKG1200	12" FRONT TIRE
3	WCKG1201	12" FRONT TUBE
4	WCKG0011	FRONT AXLE
5	WCMU0123	FRONT WHEEL SPACER, X LARGE
6	WCMU0120	WHEEL BEARING (2 REQD)
7	WCMU0032	WHEEL BEARING SPACER
8	WCMU0101	FRONT WHEEL SPACER, LARGE
10	HCWF1202	FRONT AXLE WASHER
11	HCNS1201	FRONT AXLE NUT (12MM)
12	BCMU0207	BRAKE ROTOR MOUNTING BOLTS (6 REQD)
13	BCMU0503	BRAKE ROTOR

Cobra - 2006 KING

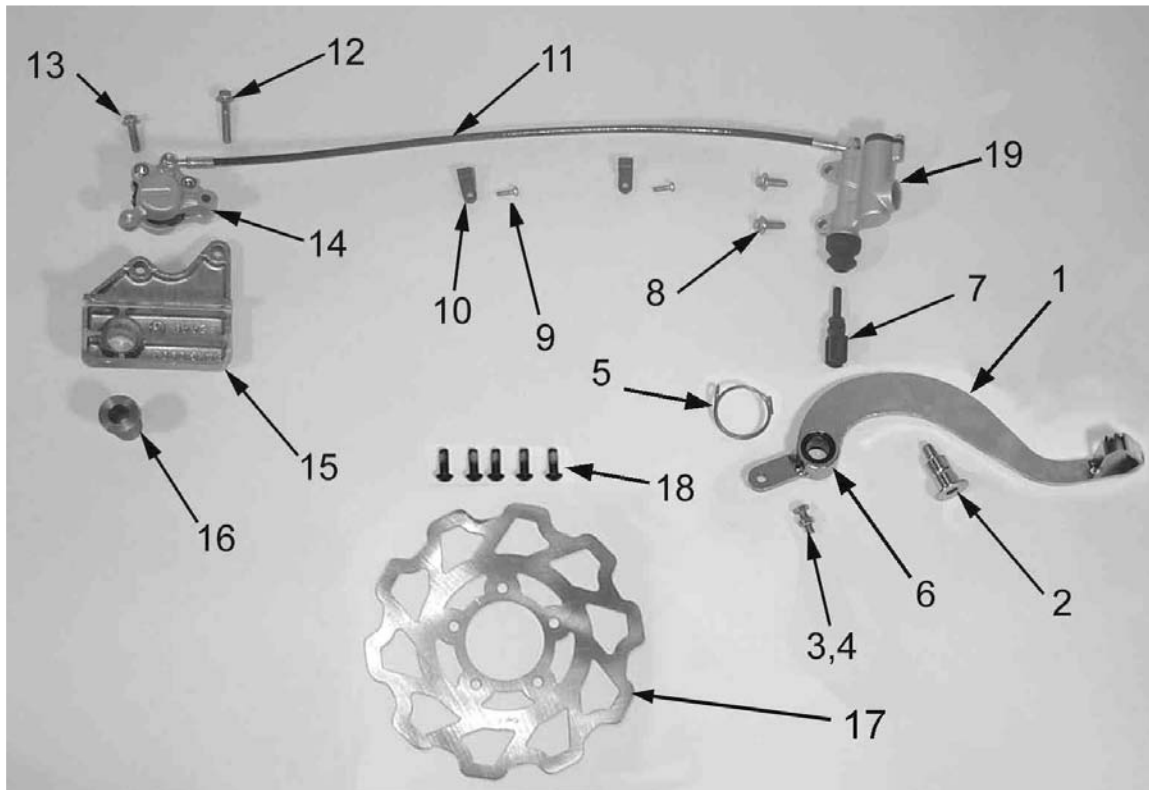
Plastic Bodywork & Seat



REF #	PART #	DESCRIPTION
1	TCMU0016	FRONT FENDER
NOT SHOWN	HCBF0616	FRONT FENDER MTG BOLTS (4 REQD)
2	TCMU0005	FRONT NUMBER PLATE
NOT SHOWN	HCBF0625	FRONT NUMBER PLATE MTG BOLT
3	TCMU0006	FUEL TANK (NO PETCOCK OR CAP)
NOT SHOWN	HCBF0616	FUEL TANK MOUNTING BOLT
4	TCMU1203	RADIATOR SHROUDS (RAD CAP ACCESS)
NOT SHOWN	HCBB0402	RAD SHROUD TO TANK BOLT, LONG (1 PER SIDE)
NOT SHOWN	HCBB0403	RAD SHROUD TO TANK BOLT, SHORT (1 PER SIDE)
NOT SHOWN	HCBB0516	M5X16 RAD SHROUD MOUNT BOLT (1 PER SIDE)
NOT SHOWN	HCWP0002	SHROUD WASHER (1 PER SIDE)
5	TCMU0113	SIDE NUMBER PLATE SET
NOT SHOWN	HCBB0516	M5X16 NUMBER PLATE MTG SCREW (2 PER SIDE)
NOT SHOWN	HCWP0002	NUMBER PLATE WASHER (UPPER HOLE ONLY)
6	TAMU0001	REAR FENDER ASSEMBLY
NOT SHOWN	HCBH0620	REAR FENDER MTG BOLT (2 REQD)
7	TCMU0505	SEAT
8	TCMU0103	FUEL TANK CAP
9	TCMU0000	FUEL PETCOCK (06 LEVER)
10	HCNK0001	KNOB - SEAT FASTENING
11	FCKG0028	BRACKET - RIGHT SIDE RAD SHROUD
NOT SHOWN	HCCN0000	5MM CLIP NUT
NOT SHOWN	HCBB0516	M5X16 RAD SHROUD MOUNT BOLT (1 PER SIDE)
NOT SHOWN	TCMU0022	GRAPHIC KIT - KING 2005
12	MCMU0003	STRAP HANDLE
NOT SHOWN	FCKG0001	LOUVER
NOT SHOWN	HCCN0000	5MM CLIPNUT
NOT SHOWN	HKPP0001	PUSH PINS - 10 PACK SHROUD FASTENING

Cobra - 2006 KING

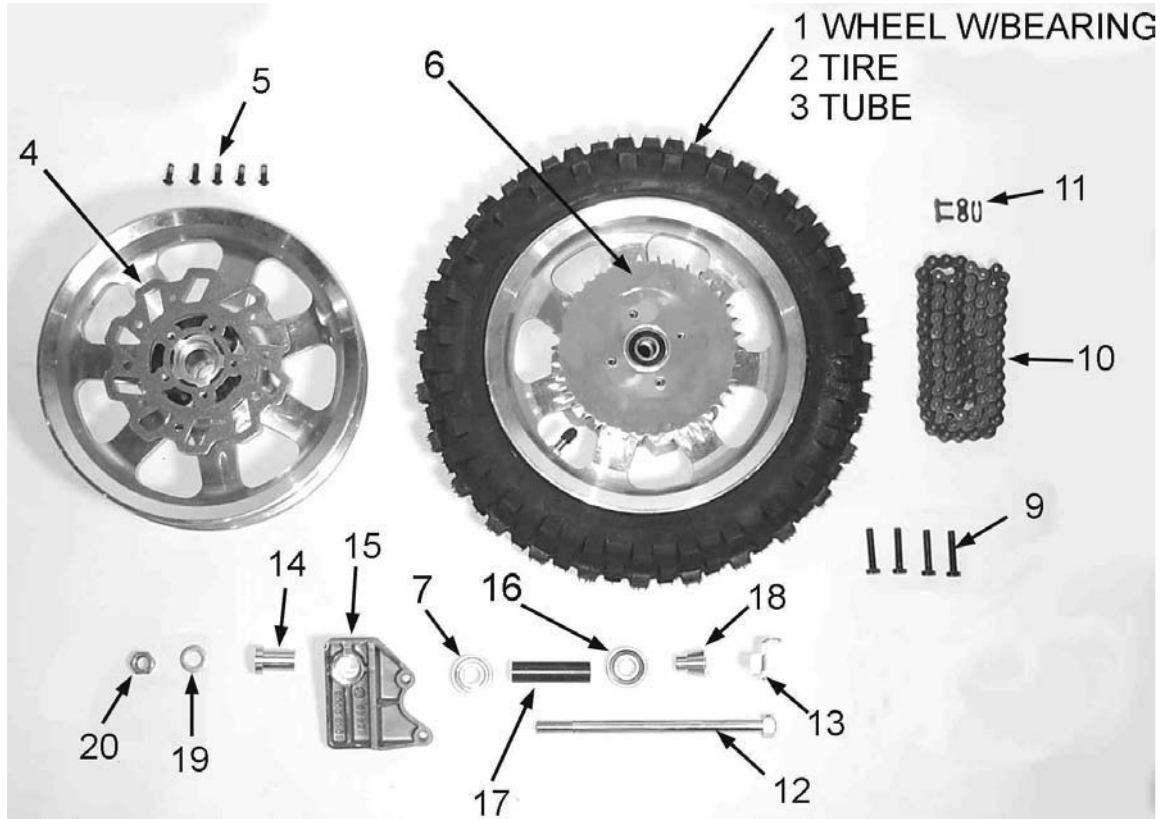
Rear Brake



REF #	PART #	DESCRIPTION
	BAKG0002	BRAKE COMPLETE
1	BCMU0012	BRAKE PEDAL
2	BCDC0009	BRAKE PIVOT BOLT
3	HCBH0620	M6X20 HEX HEAD BOLT
4	HCNS0601	6 MM NUT
5	BCMUSP02	BRAKE RETURN SPRING
6	BCMU0501	SEAL – BRAKE PEDAL (2 REQ'D)
7	BCDC0004	PUSH ROD, REAR BRAKE
8	HCBF0620	M6X20 FLANGE HEAD BOLT (2 REQ'D)
9	HCPP0832	BRAKE HOSE CLAMP FASTENER (2 REQ'D)
10	HCCC0000	BRAKE HOSE CLAMP (2 REQ'D)
11	BCKG0010	REPLACEMENT BRAKE HOSE
12	HCBF0635	M6X35 FLANGE HEAD BOLT
13	HCBF0620	M6X20 FLANGE HEAD BOLT
14	BCKG0013	CALIPER – REAR BRAKE
ACCESSORY	BCKG0009	BRAKE PADS WITH “E” CLIP
15	BCKG0103	BRAKE CARRIER WITH PAD
16	BCKG0006	WHEEL SPACER - FLOATING CARRIER
17	BCMU0502	BRAKE ROTOR
18	HCBB0620	M6X20 BUTTON HEAD CAP SCREWS (5 REQ'D)
19	BCKG0012	MASTER CYLINDER - REAR
ACCESSORY	BCKG0014	FITTING KIT
ACCESSORY	BCKG0015	MASTER CYLINDER PISTON / SEAL KIT
ACCESSORY	BCKG0016	RESERVOIR SEAL KIT
ACCESSORY	BCKG0017	CALIPER BOLT / O-RING KIT
ACCESSORY	BCKG0018	CALIPER PISTON / SEAL KIT
ACCESSORY	BCKG0019	PAD RETURN SPRING (4 LEG SPRING)

Cobra - 2006 KING

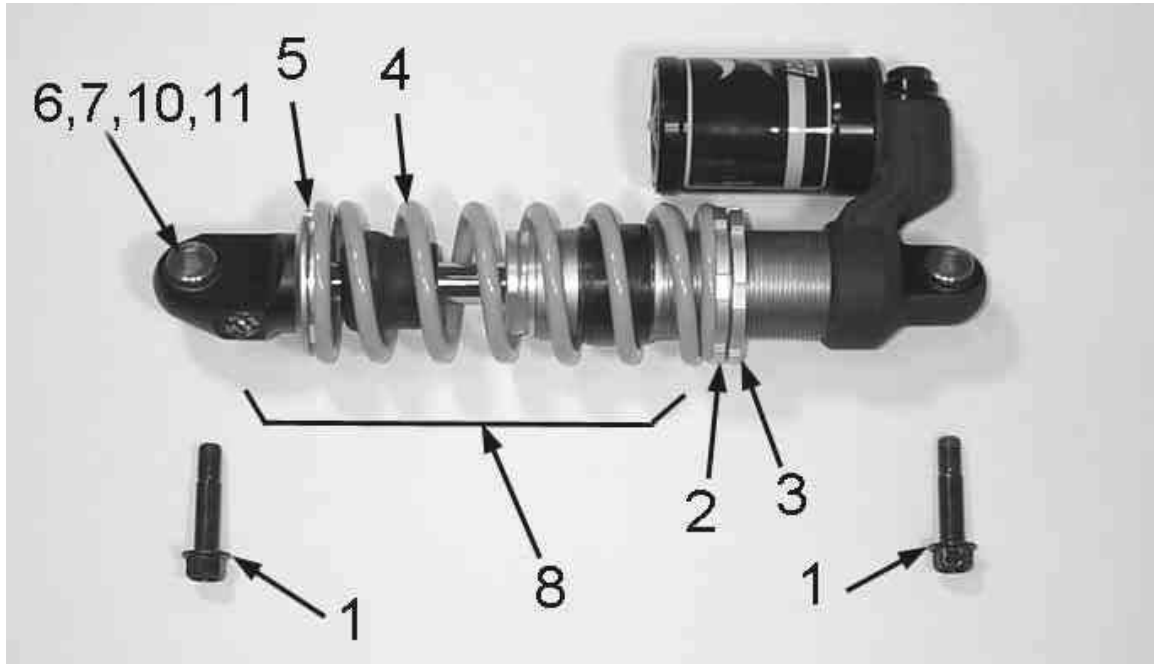
Rear Wheel



REF #	PART #	DESCRIPTION
1	WAKG0020	REAR WHEEL W/BEARINGS
2	WCMU1275	REAR TIRE, VEE RUBBER 2.75X10
3	WCMUTU10	TUBE, BRIDGESTONE 10"
4	BCMU0502	BRAKE ROTOR
5	HCBB0620	M6X20 BUTTON HEAD CAP SCREWS (5 REQD)
6	PCMU0138	38T STEEL REAR SPROCKET (NO DAMPERS)
7	WCMU0020	WHEEL BEARING BRAKE SIDE
9	HCBH0702	M7X30 HEX HEAD BOLT
10	PCMU0100	CHAIN 420 X 100
11	PCMU0001	MASTER LINK 420
12	WCMU0016	REAR AXLE
13	HCPA0002	AXLE HEAD FIXING PLATE
14	BCKG0006	WHEEL SPACER - FLOATING CARRIER
15	BCKG0103	BRAKE CARRIER
NOT SHOWN	BCKG0104	BRAKE CARRIER PAD
16	WCMU0120	WHEEL BEARING SPROCKET SIDE
17	WCMU0033	WHEEL BEARING SPACER
18	WCMU0101	WHEEL SPACER
19	HCWF1202	AXLE WASHER
20	HCNL1201	AXLE NUT 12MM

Cobra - 2006 KING

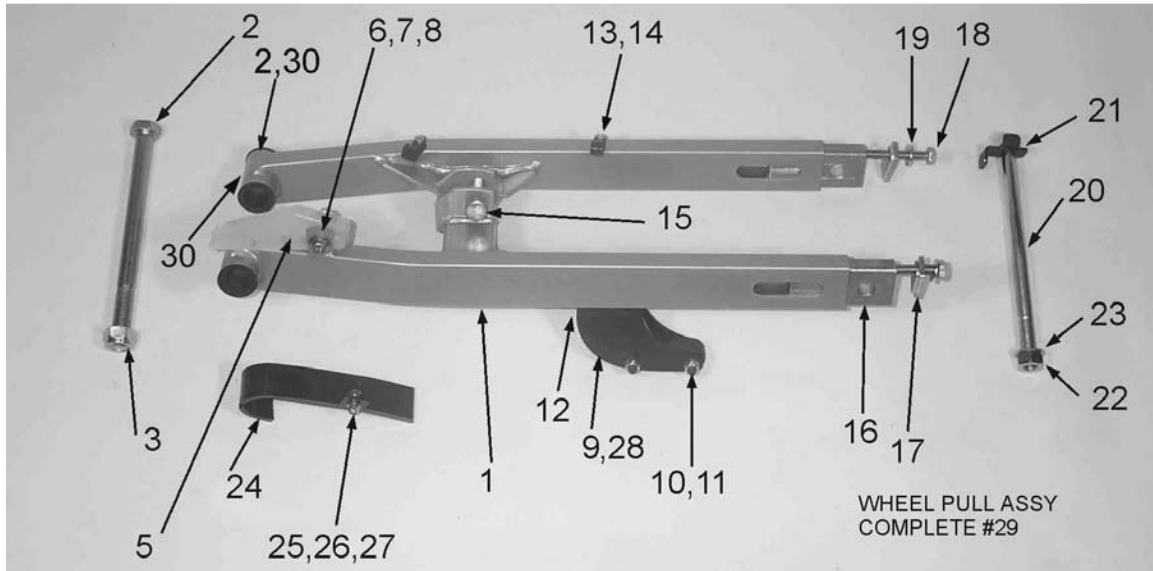
Shock



REF #	PART #	DESCRIPTION
1	HCBF1040	M10 X 40 HEX HEAD BOLT
2	SCKGFX04	PRELOAD RING BOTTOM
3	SCKGFX05	PRELOAD RING TOP (LOCK RING)
4	SCKGFX37	SHOCK SPRING 3.7 KG/MM (STANDARD)
	SCKGFX35	SHOCK SPRING 3.5 KG/MM (LIGHT)
	SCKGFX39	SHOCK SPRING 3.9 KG/MM (HEAVY)
5	SCKGFX03	SPRING RETAINER BOTTOM
6	SCKGFX01	COLLAR - SHOCK END MOUNT
7	ZCMU0114	O-RING - SHOCK END MOUNT
8	SAKG2006	REAR SHOCK (FOX)
10	SCKGFX06	BEARING - SPHERICAL SHOCK MOUNT
11	SCKGFX07	RETAINING RING SHOCK END BEARING

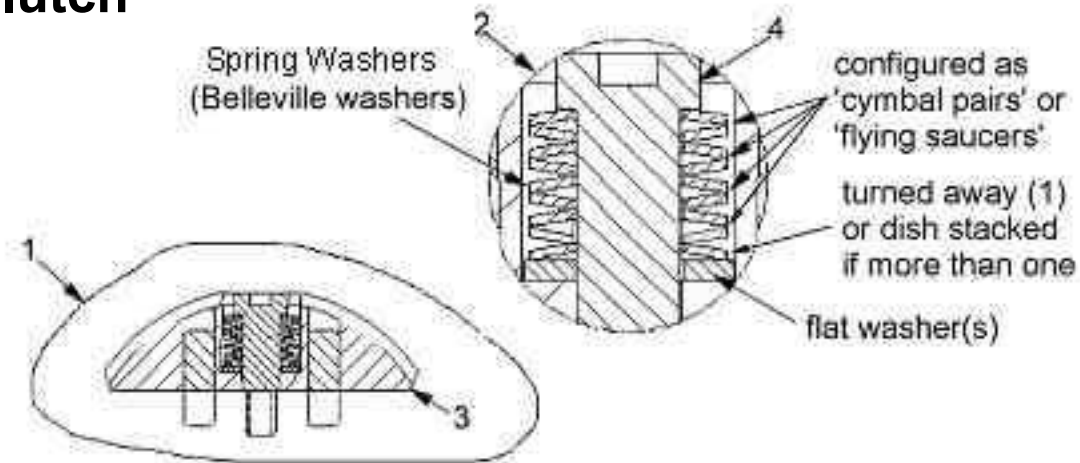
Cobra - 2006 KING

Swingarm Assembly



REF #	PART #	DESCRIPTION
	GAKG2004	SWINGARM ASSEMBLY COMPLETE
1	GAKG0002	SWINGARM PAINTED
2	HCBF1403	SWINGARM PIVOT BOLT
3	HCNL1402	SWINGARM LOCK NUT (M14 X1)
4	GCMU0001	SWINGARM BUSHING (4 PER)
5	GCMU0005	TOP SWINGARM GUARD (CHAIN SLIDER)
6	HCBB0803	M8X40 BUTTON HEAD BOLT
7	HCWF5601	FLAT WASHER
8	HCNL0801	8MM LOCK NUT
9	PAKG0002	CHAIN GUIDE ASSEMBLY COMPLETE
10	HCBF1401	1/4 X 20 X 1-1/2" FLAT HEAD SCREW (2 PER)
11	HCNL1401	1/4" LOCKNUT (2 PER)
12	HCBF0620	M6 X 20 FLANGE HEAD BOLT (2 PER)
13	HCCC0000	BRAKE HOSE CLAMP (2 PER)
14	HCPP0832	BRAKE HOSE CLAMP FASTNER (2 PER)
15	HCBH1001	M10 X 40 LOWER SHOCK MOUNT BOLT
16	FCMU0203	WHEEL PULL
17	FKMU0005	WHEEL PULL ENDCAP WITH WASHER
18	HCBH0810	WHEEL PULL BOLT M8X65
19	HCWF801	WHEEL PULL WASHER (M8)
20	WCMU0016	REAR AXLE
21	HCPA0002	AXLE HEAD FIXING PLATE
22	HCNL1201	AXLE NUT, 12 MM
23	HCWF1202	AXLE WASHER
24	GCMU0017	OPTIONAL TOP CHAIN SLIDE
25	HCFH0516	FLAT HEAD SCREW
26	HCWF0501	WASHER
27	HCNL0501	LOCK NUT
28	PCKG0004	BOTTOM CHAIN SLIDER
29	FAMU0005	WHEEL PULL ASSEMBLY COMPLETE
30	GCKG0008	SWINGARM PIVOT TUBE SPACER (2 REQ'D)

Cobra - 2006 KING Clutch



REF #	PART #	DESCRIPTION
1	CAMU0013	Set of three shoes, springs, bolts, flat washers & nuts
2	CAMU0010	Set Of three springs, washers, bolts & nuts
4	HCBS0004	One metric clutch bolt

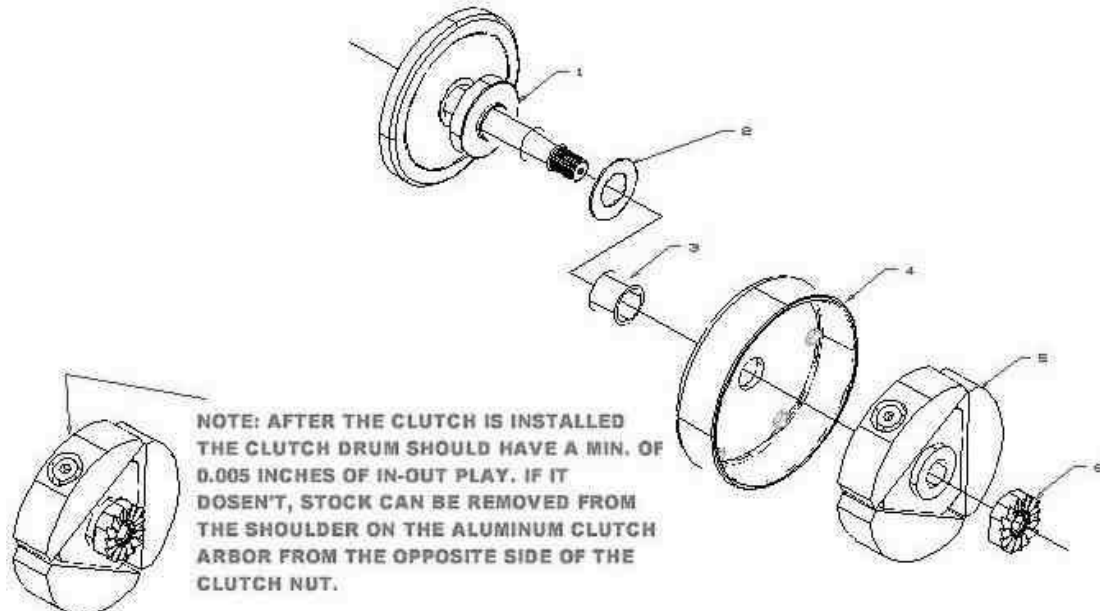
Clutch adjustment washers

Your Cobra comes stock with a single flat washer at the bottom of the spring washer stack. The thickness of that flat washer is 0.031" (0.79mm). Cobra offers several thicknesses of thin adjustment washers that allow clutch engagement tuning. Increasing the flat washer(s) thickness increases the engine speed for clutch engagement thus increasing the abruptness of clutch engagement (harder hit). Conversely, decreasing the flat washer(s) thickness decreases the engine speed for clutch engagement thus decreasing the abruptness of clutch engagement (softer hit).

Part #	Thickness mm (inch)
HCWS0801	1.4 (0.056)
HCWS0802	1.2 (0.047)
HCWS0803	0.79 (0.031)
HCWS0804	0.64 (0.025)
HCWS0805	0.51 (0.020)
HCWS0806	0.38 (0.015)

Cobra - 2006 KING

Clutch Assembly



REF #	PART NO.	DESCRIPTION
1	ECMU0118	Crank seal
2	ECMU0040	Clutch to hub spacer (standard 0.030" 0.76mm)
	ECMU0040T	Clutch to hub spacer (thin, 0.015" 0.38mm)
3	ECMU0119	Brass bearing
4	ECMU0120	Clutch basket with bearing
5	CAMU0005	Clutch Complete w/ Arbor
6	ECMU0018	Clutch nut
	CCMU0029	Clutch arbor

- ? The best way to prevent glazing is by not gearing too high, changing the oil as specified and by not blipping the throttle. Every time you blip the throttle, you are working your clutch springs.

CAUTION:

The clutch produces a tremendous amount of heat and when a rider is blipping the throttle. This makes the clutch and clutch springs wear out quicker. This also makes your engine tend to run hotter which decreases engine power and degrades ignition stator efficiency. It is important to train your rider **NOT** to be a **throttle 'blipper'**.

CAUTION:

Sludge build-up between the spring washers also keeps the clutch shoe from engaging fully and this will cause the clutch to start to slip. So you will need to clean the sludge out or just replace the spring washers and bolts with new ones. How quickly this sludge builds up depends on how often you **change your oil** and whether your rider is a throttle 'blipper'.